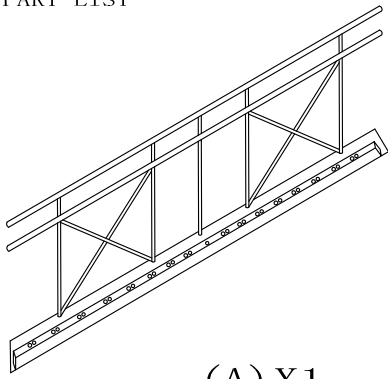
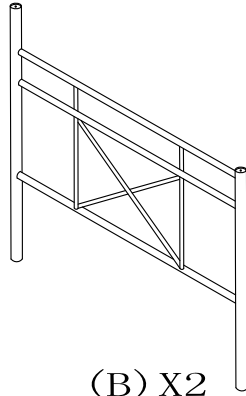


ASSEMBLY INSTRUCTION

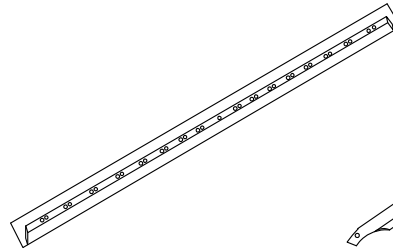
PART LIST



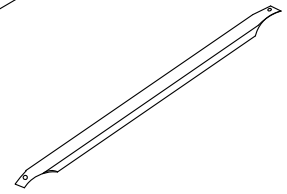
(A) X1



(B) X2



(C) X1



(D) X1



(E) X16

HARDWARE LIST



(F) M6*55mm BOLT/X4



(G) M6 NUT
2PCS



(I) M8/X4



(J) Φ 50 DECORATIVE BALL
4PCS

(H) M8*75mm BOLT/X4

(K) M6*35mm BOLT/X2

TOOL :



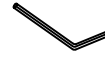
(L) M8*22 GASKET
4PCS



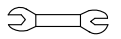
(M) PLASTIC SLEEVE
32PCS



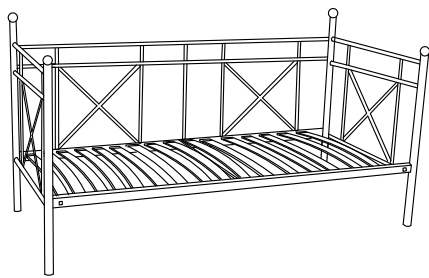
M4
1PC



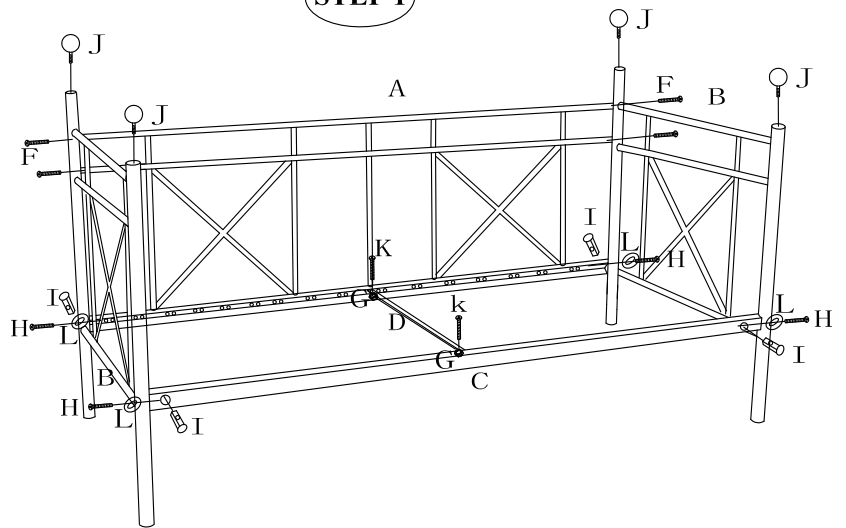
M5
1PC



1PC



STEP 1



STEP 2

