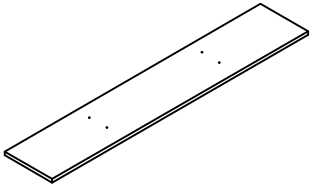
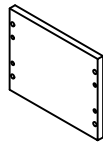


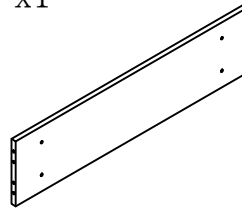
A x1



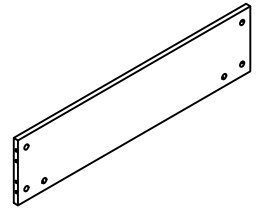
B x2



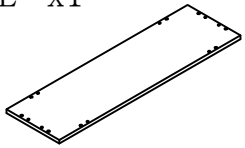
C x1



D x1



E x1



F x4



G x1



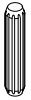
H x16



I x16



J x16



K x9



M3.5x12

L x4



M6x20

M x8



M3.5x16

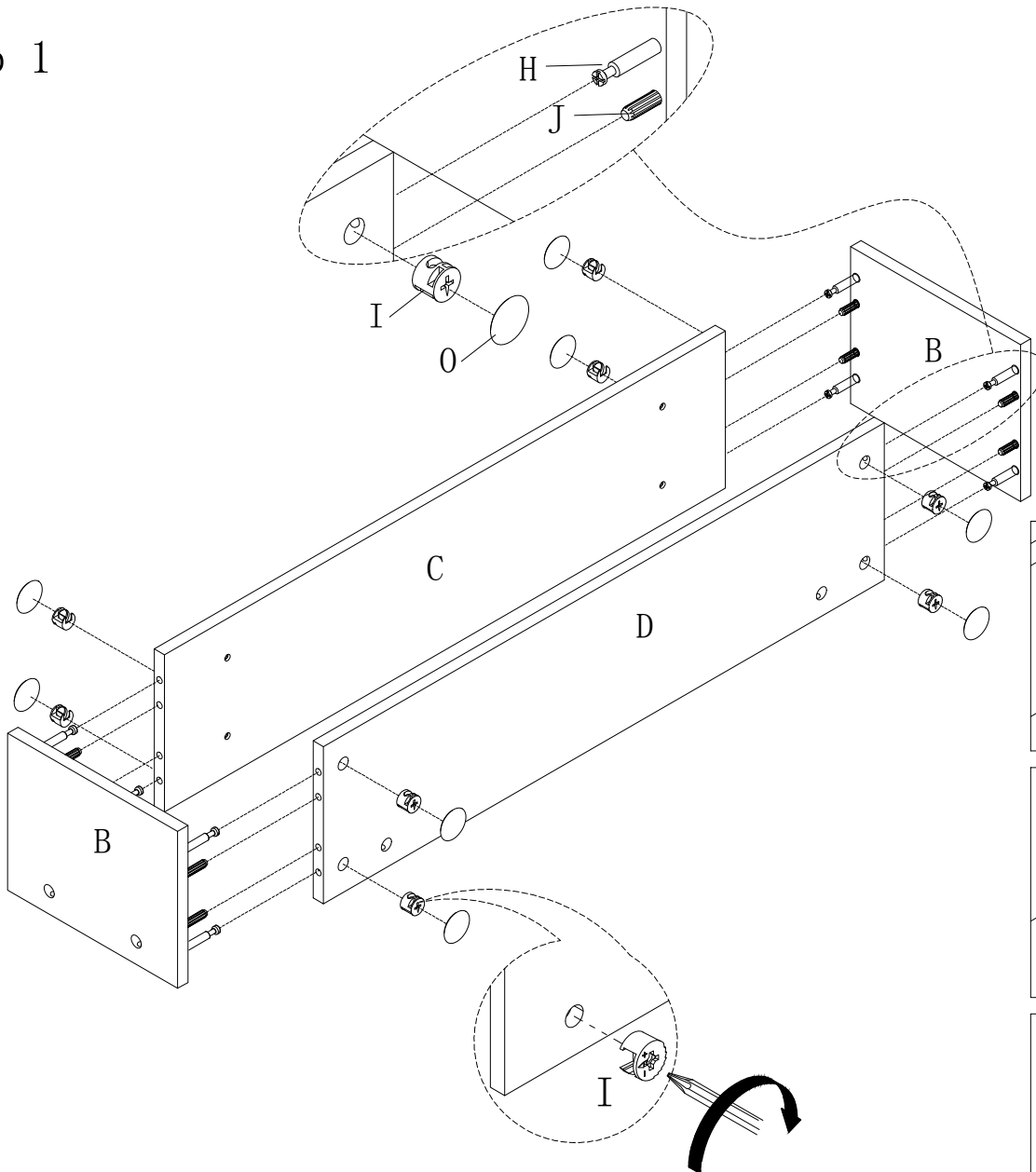
N x2



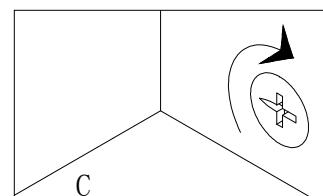
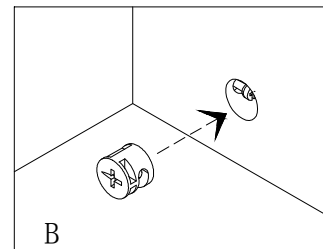
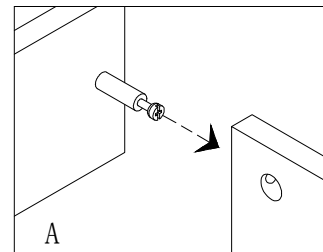
O x20



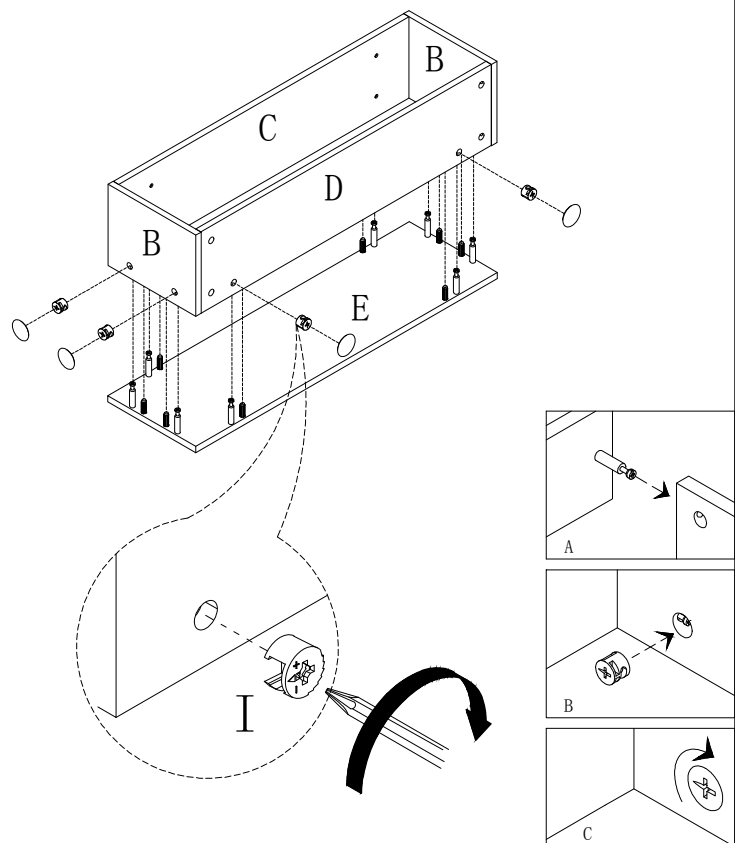
Step 1



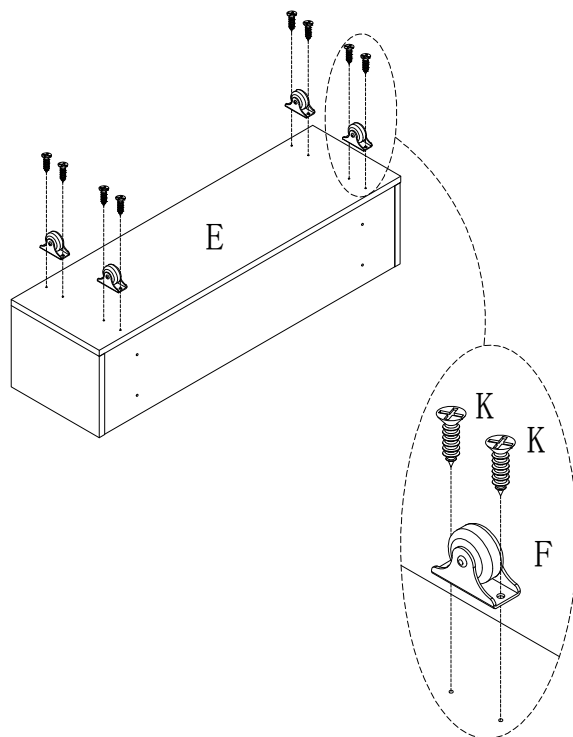
P x1



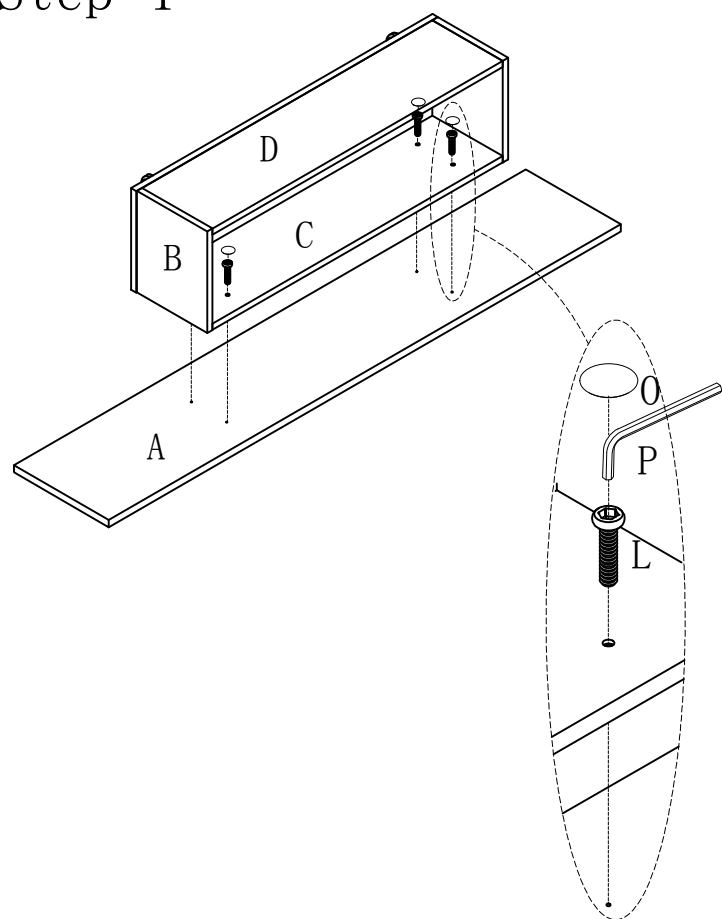
Step 2



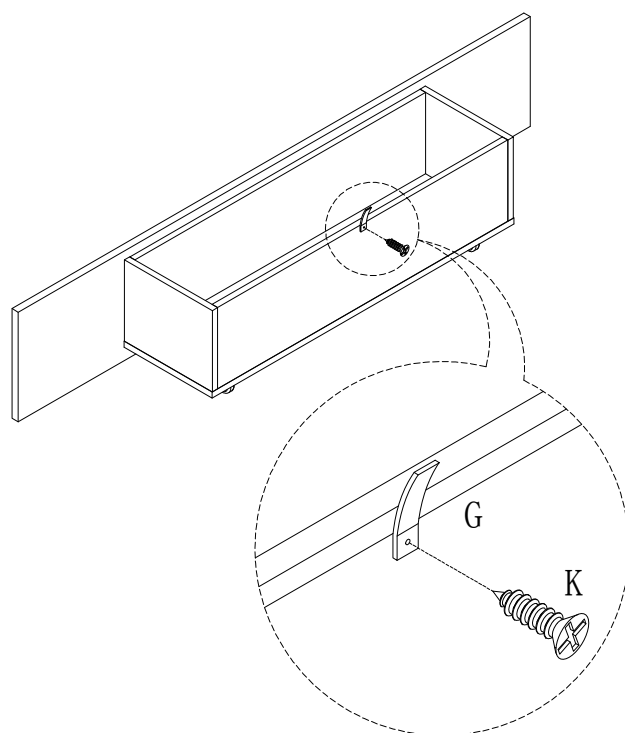
Step 3



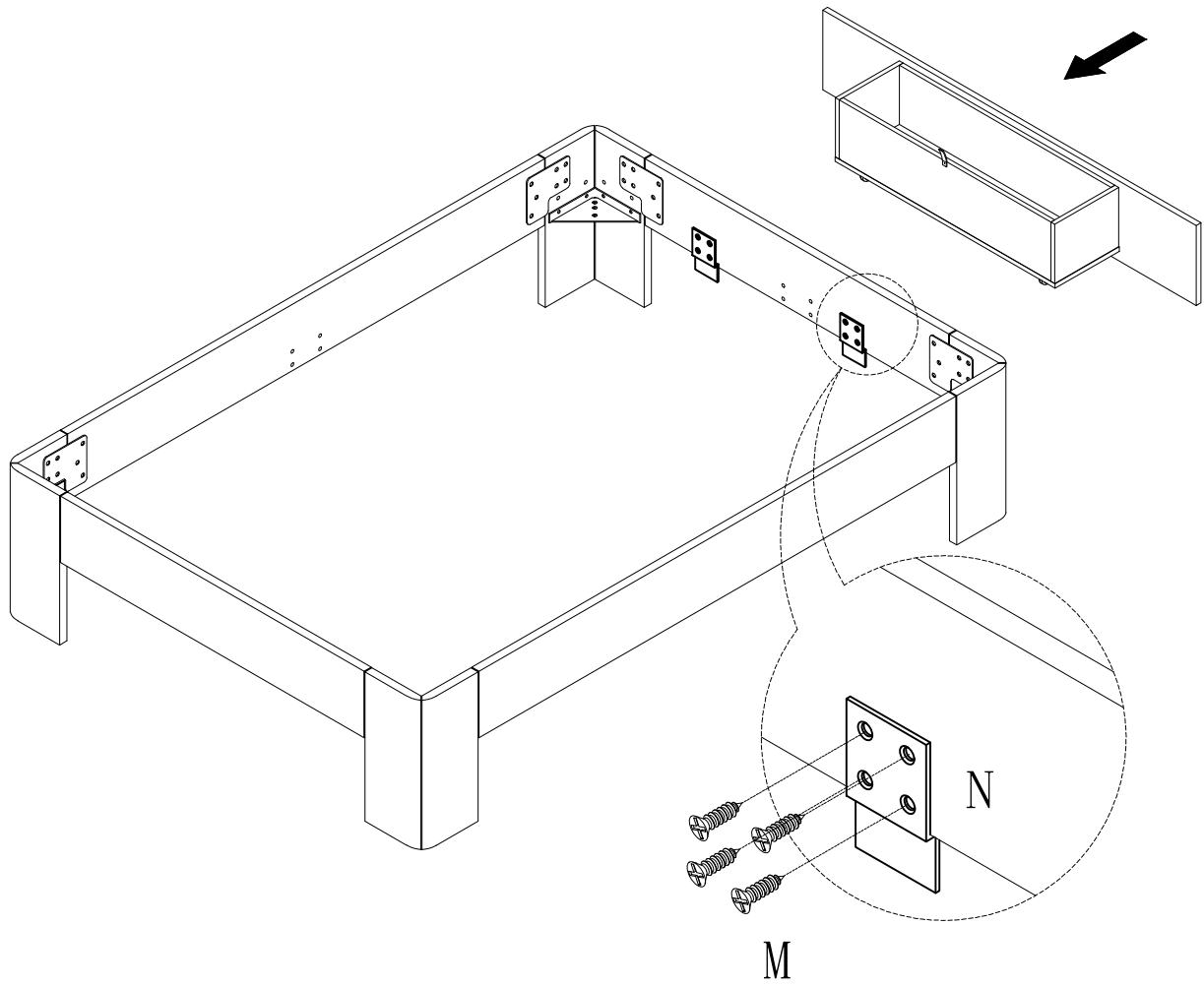
Step 4



Step 5



Step 6



Step 7

