

TEMPUR ARC™ Bed range

---

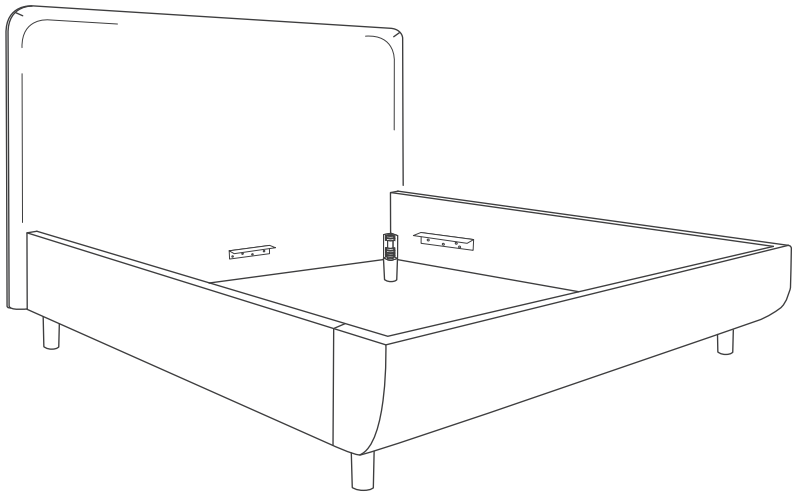
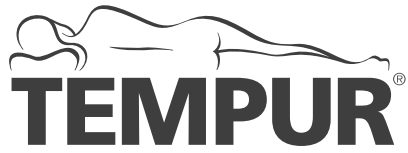
ASSEMBLY GUIDE

# Contents

TEMPUR ARC™ Outer frames assembly guide	4
Product exceptions: Luxury headboard	8
TEMPUR ARC™ Inner frame(s) assembly guide	
TEMPUR ARC™ Static slatted inner frame(s) assembly guide	14
TEMPUR ARC™ Static disc inner frame(s) assembly guide	23
TEMPUR ARC™ Adjustable slatted inner frame(s) assembly guide	32
TEMPUR ARC™ Adjustable disc inner frame(s) assembly guide	48

Welcome to TEMPUR®

Thank you for choosing a TEMPUR® product.



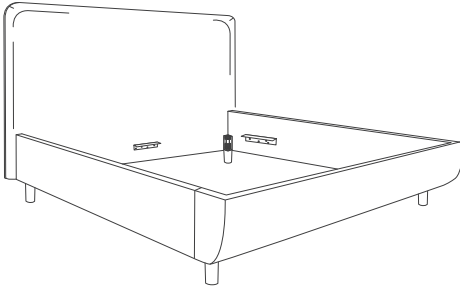
## TEMPUR ARC™ Bed range

---

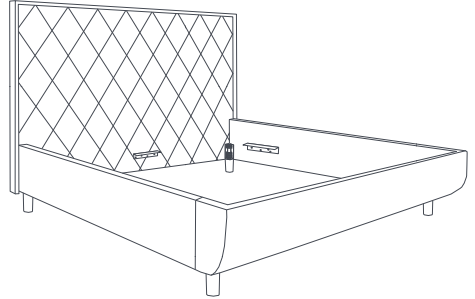
### Outer frames assembly guide

# Welcome!

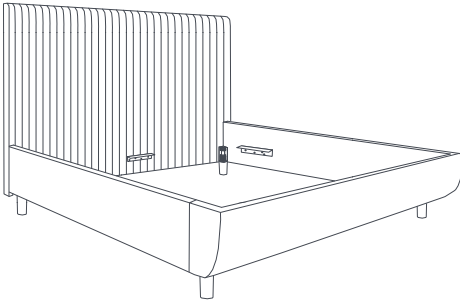
Here are TEMPUR ARC™ beds, outer frames with headboards. Regardless of your choice of headboard, bed size or bed type, the assembly of the outer frames is the same in all cases.



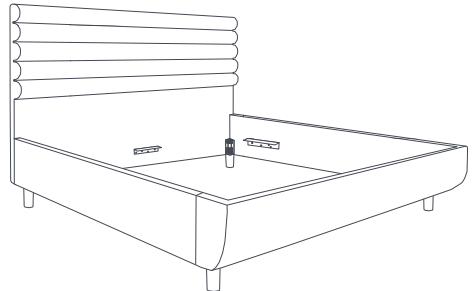
TEMPUR® FORM



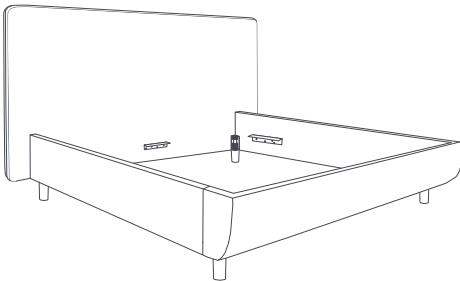
TEMPUR® QUILTED



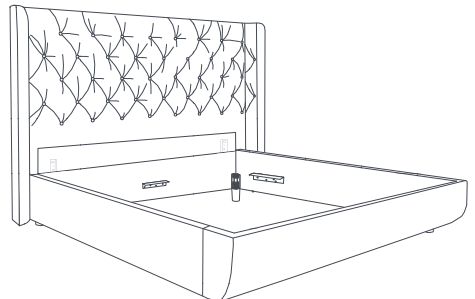
TEMPUR® VERTICAL



TEMPUR® VECTRA



TEMPUR® SENSORY



TEMPUR® LUXURY



**CAUTION**

The assembly instructions must be followed closely to install the bed system successfully, safely, and to minimize the risk of personal injuries and damage to the product.



Assemble the product with a minimum of two persons.

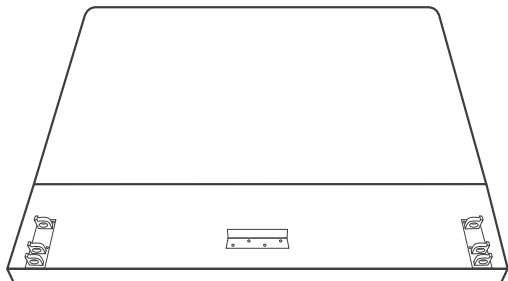


Open the packaging carefully, so as not to damage the product and its parts.  
Dispose of the packaging safely and as sustainably as possible in your local area.

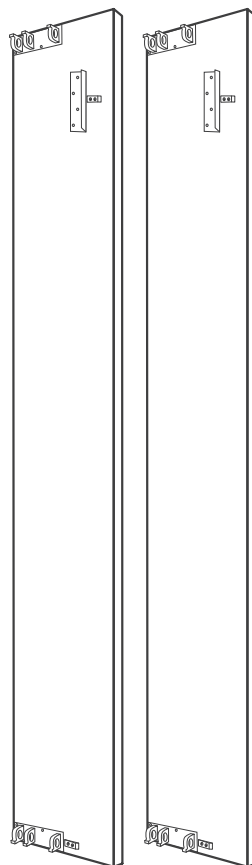
# Component list

Check all components. All the means and tools required for product assembly come with the product:

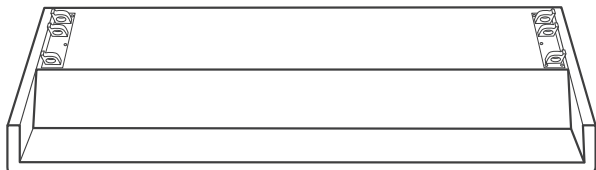
1 x headboard



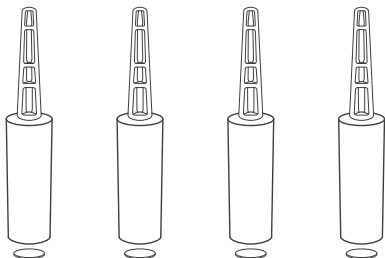
2 x side panels



1 x foot-end panel



4 x cones; 4 x leg details; 4 x felt pads

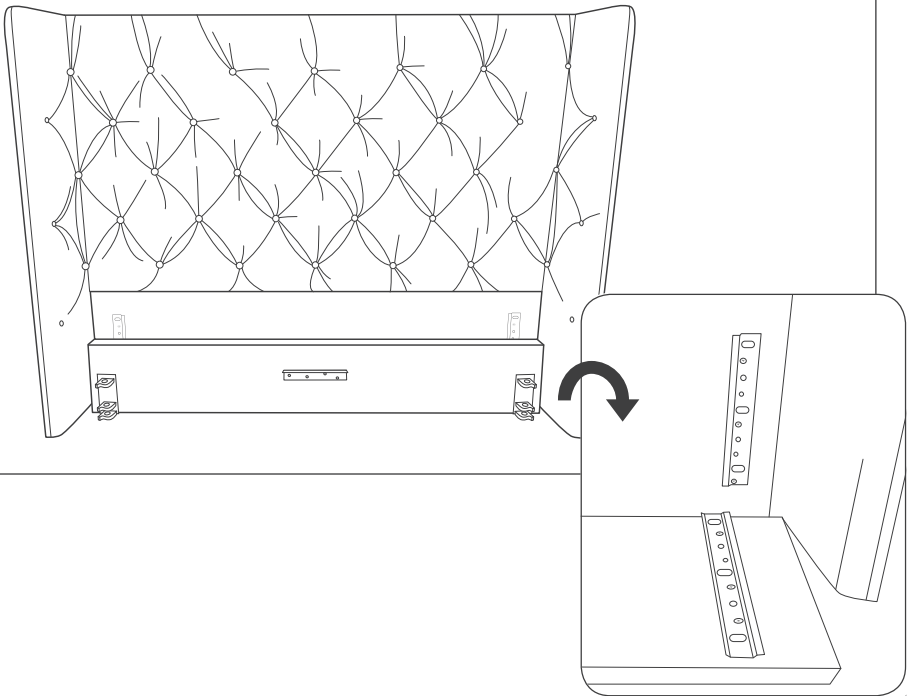


# Products exceptions

## TEMPUR® LUXURY headboard extra component

In case you have a TEMPUR® LUXURY headboard, there is an additional component, a headboard extra panel.

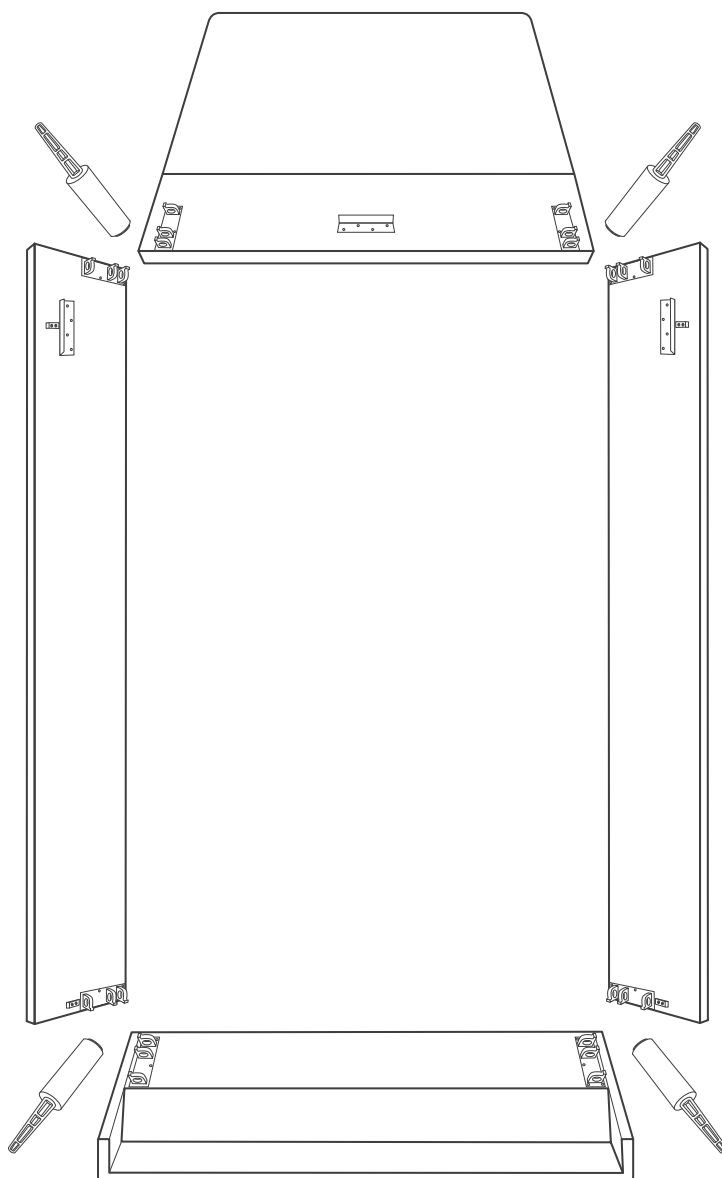
TEMPUR® LUXURY will be standing on the floor. The additional panel is attached on the headboard in the factory. It is moving on rails up and down into the right position according to the legs height.





### 3. Organizing the bed parts

Lay all outer frame parts on the floor, connectors facing upside.



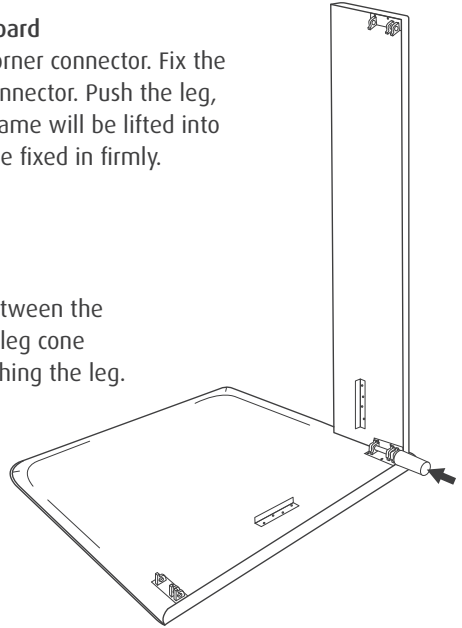
#### 4. Connecting one side panel with headboard

Place one side panel into the headboard corner connector. Fix the panel by placing one leg into the corner connector. Push the leg, no need to twist the legs. When the bed frame will be lifted into its upright position afterwards, these will be fixed in firmly.



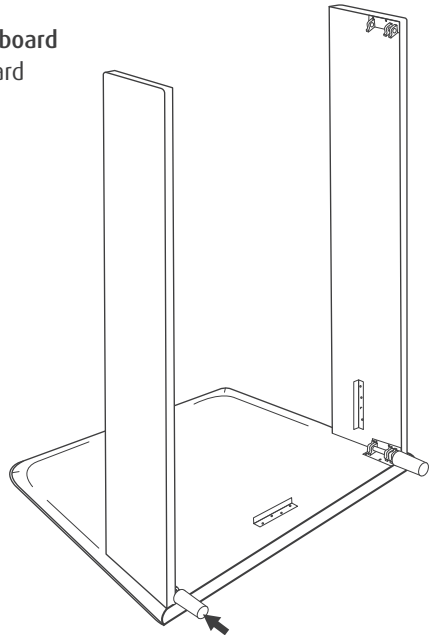
#### CAUTION

Be careful not to trap your fingers between the corner fingers joint nor between the leg cone and the corner connector while attaching the leg.



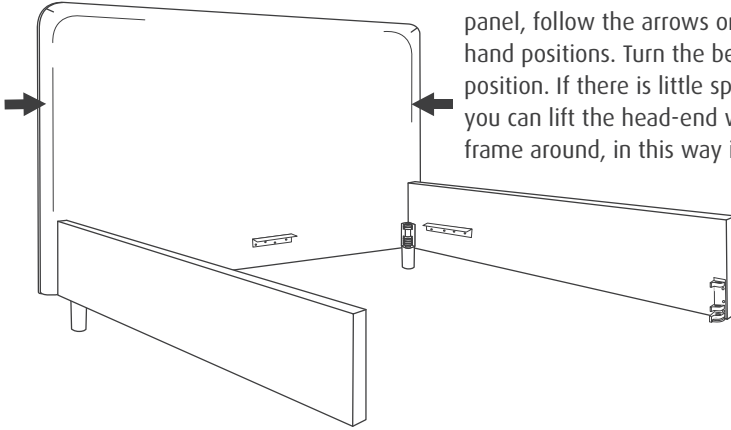
#### 5. Connecting second side panel with headboard

Connect second side panel with the headboard corner connector and fix it with another leg.



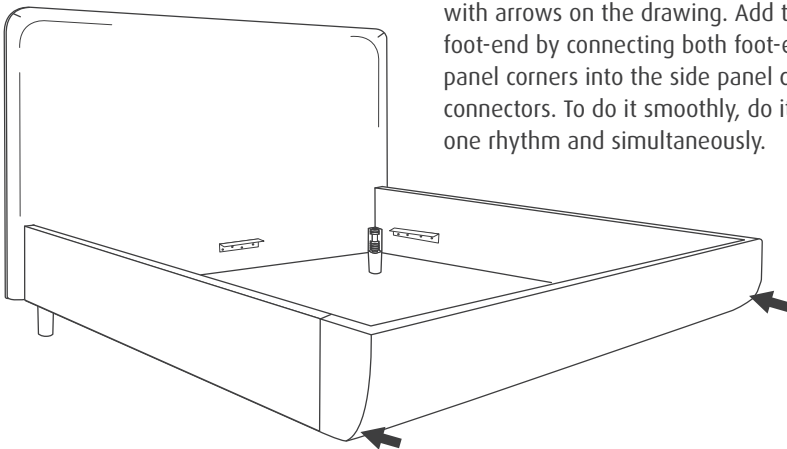
## 6. Turning bed to horizontal position

One person is standing on one side of the bed frame by the head-end and another one the opposite side. Hold with one hand the headboard and with other hand the side panel, follow the arrows on the drawing for hand positions. Turn the bed to its horizontal position. If there is little space in the room, you can lift the head-end while turning the frame around, in this way it saves space.



## 7. Adding foot-end panel

One person is standing by one foot-end corner and the other person is standing by the opposite corner, shown with arrows on the drawing. Add the foot-end by connecting both foot-end panel corners into the side panel corner connectors. To do it smoothly, do it in one rhythm and simultaneously.



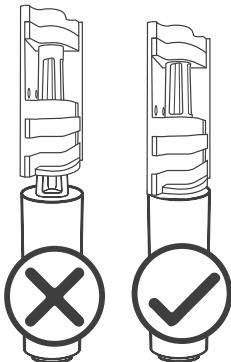
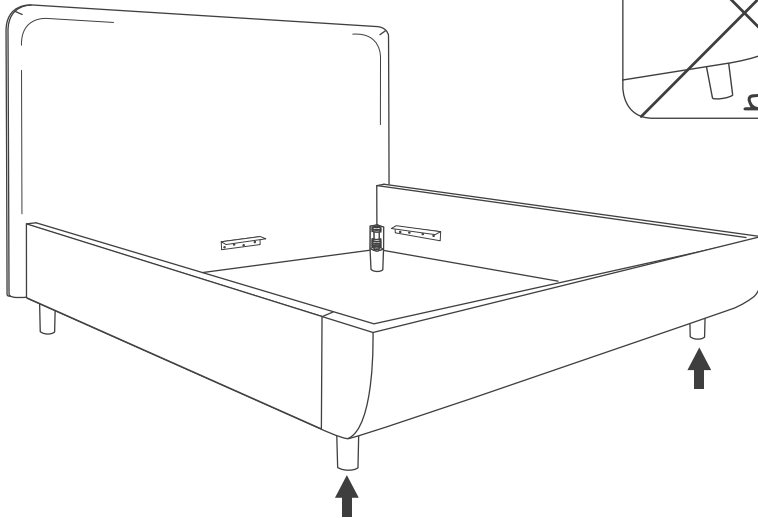
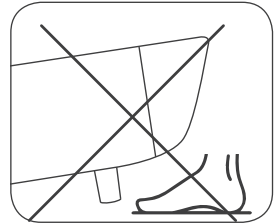
### 8. Fixing the foot-end with legs

One person is by one foot-end corner and another one in the opposite corner, shown with arrows on the drawing. Fix the foot-end panel by placing legs in each corner connector and push them. No need to twist, the weight of the construction of the bed will fix the legs to the end position. To make sure that the legs are fixed firmly, you can lift the bed from the front and back corners slightly, not more than up to 10 cm, and let it fall to the floor under its weight.



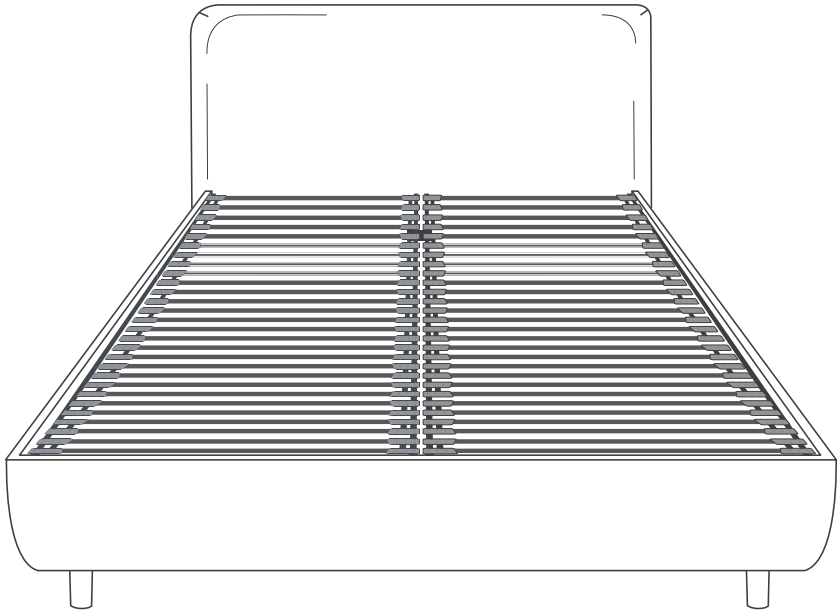
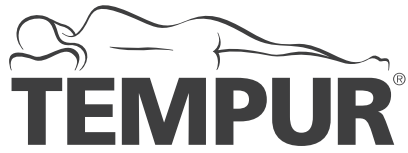
#### CAUTION

While installing, keep your feet a safe distance away from the bed frame.



#### CAUTION

Make sure that the foot cone is completely inside the corner connector.



## TEMPUR ARC™ Static Slatted

---

Static slatted inner frame(s) assembly guide



**CAUTION**

The assembly instructions must be followed closely to install the bed system successfully, safely, and to minimize the risk of personal injuries and damage to the product.



Assemble the product with a minimum of two persons.



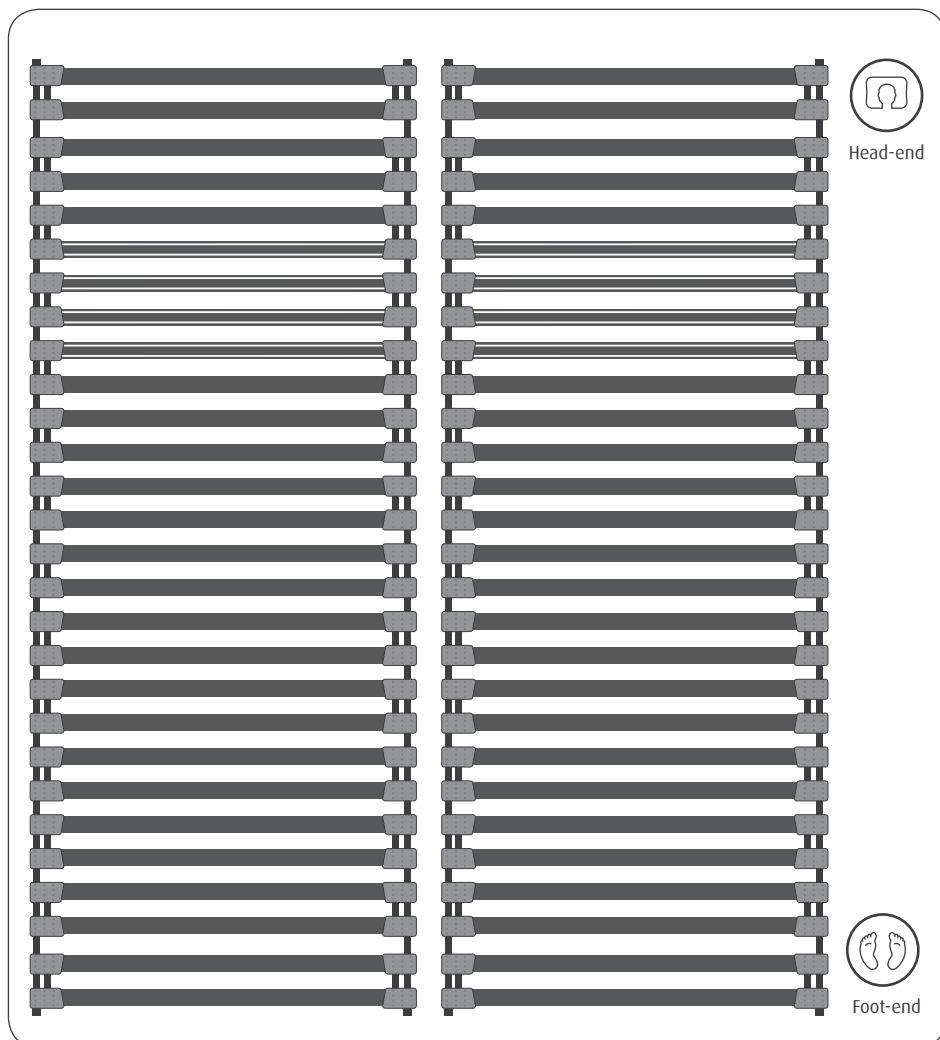
Open the packaging carefully, so as not to damage the product and its parts.  
Dispose of the packaging safely and as sustainably as possible in your local area.

## Component(s)

You have 1 inner frame if your bed size is 90x200; 100x200; 140x200 cm.

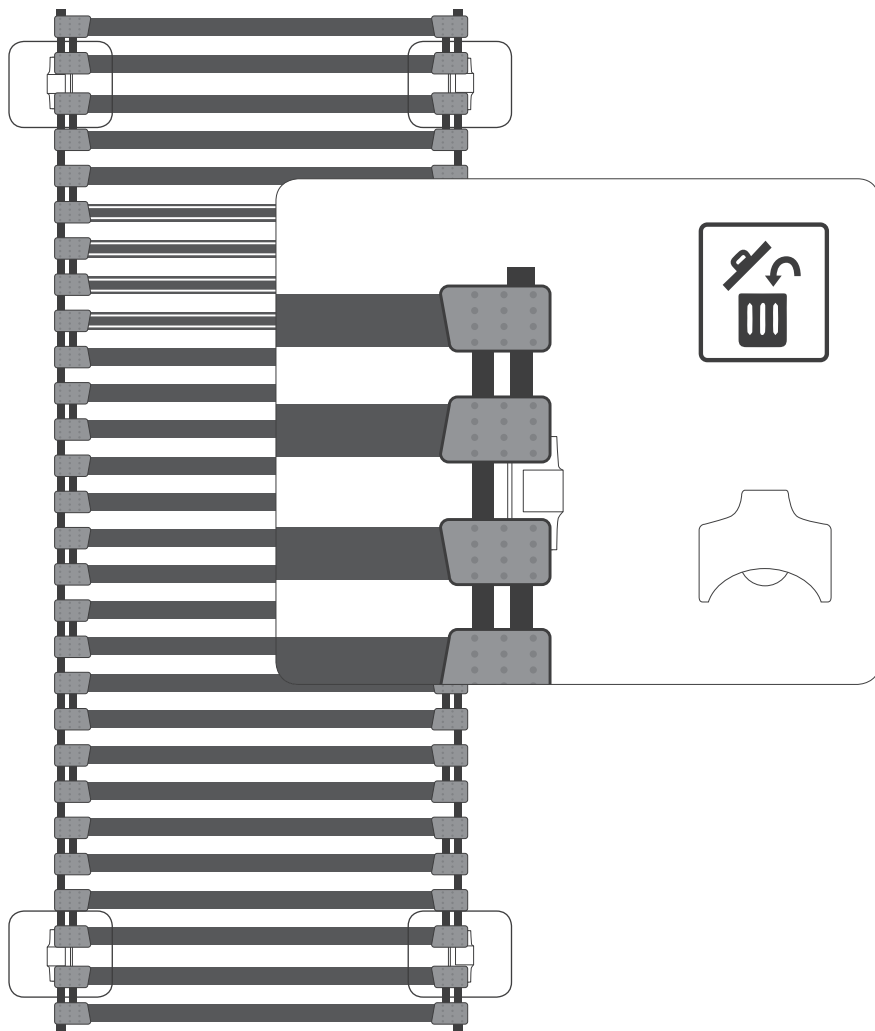
You have 2 inner frames in case your bed size is 150x200; 160x200; 180x200 cm.

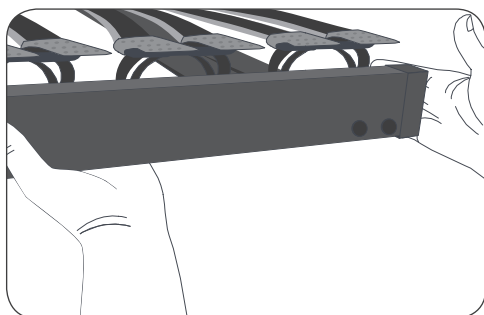
Follow the direction of the frame, you have thin stripes at the head-end on the slats.



## Removing transport holders

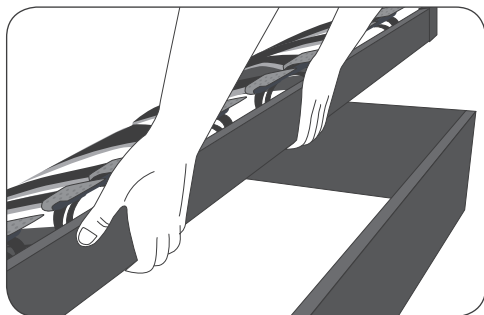
Remove 4 pieces of white plastic holders at the head- and foot-end.





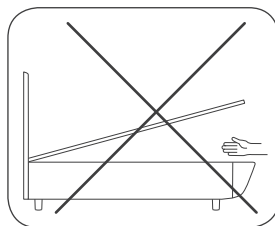
**CAUTION**

Lift and carry the frame with two people by holding it from the bottom support frames.



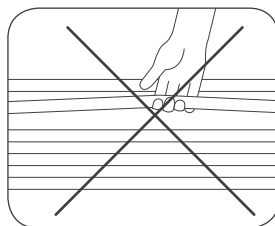
**WARNING**

While mounting the frame(s), be careful your fingers are not trapped between the outer and inner frame.



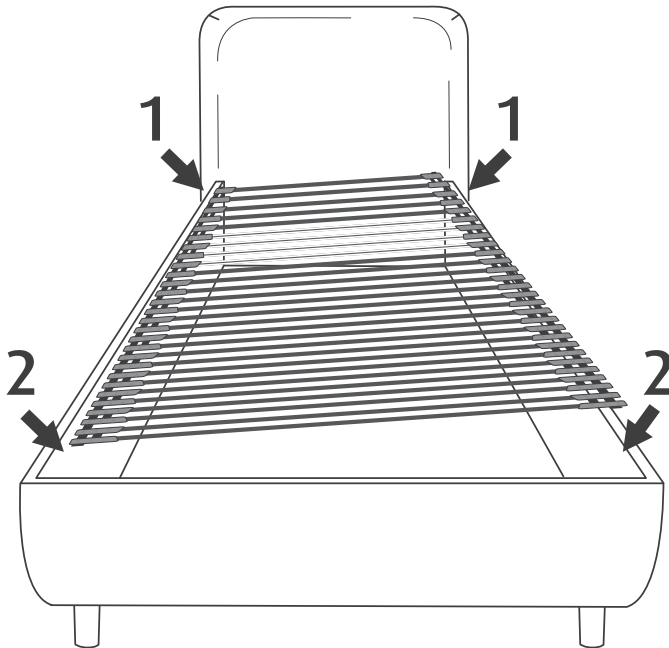
**CAUTION**

Be aware not to carry the frame by holding it only from the middle of the slats, these may come off or be damaged.



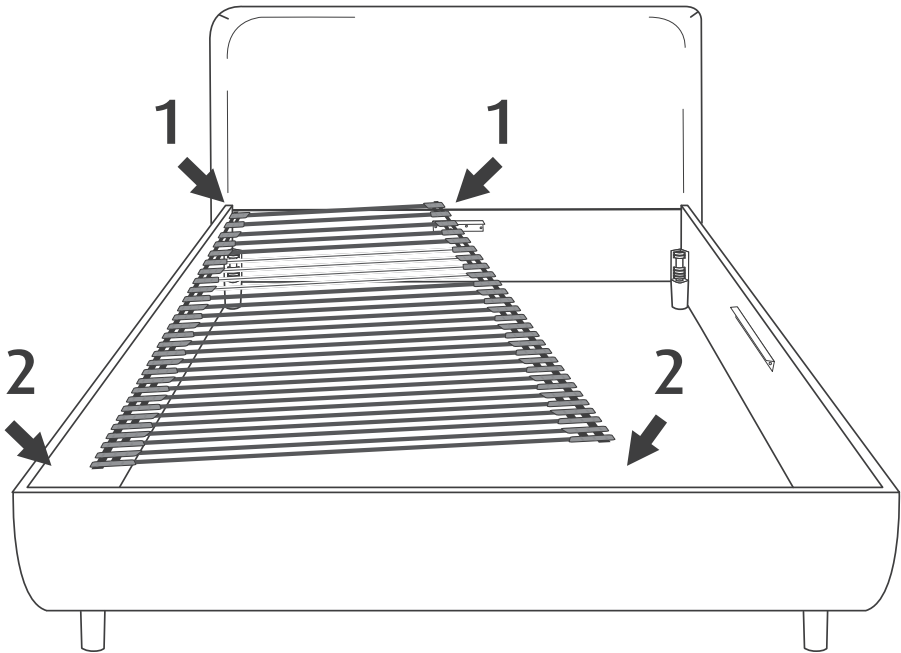
## Single static slatted inner frame placement

Lift the frame horizontally with two persons, both holding the frame from the longer opposite sides, from the bottom support frame. Lift the frame head-end onto the headboard metal support angle. As the frame head-end is placed, it is not so heavy anymore and you can place your hands on the top of the frame now, onto the slats. Drop the other frame end slowly and carefully onto the foot-end.

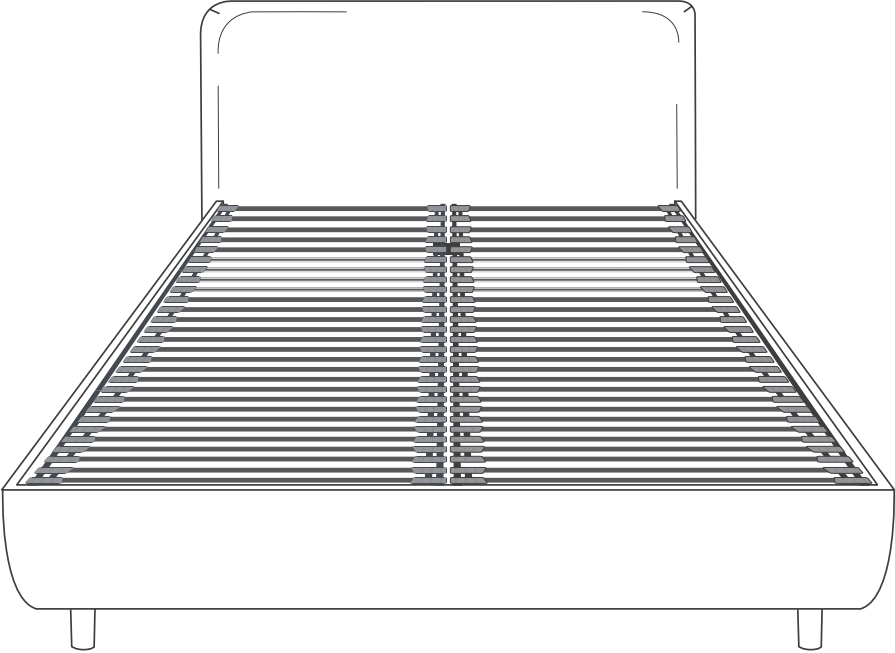


## Double static slatted inner frames placement

Take one frame with two people and turn it sideways. One person lifts the frame from the head-end and the other one from the foot-end. Hold the frame from its longer side support frame. Place the frame by sideways (inner side facing downwards) inside the outer frame. Install the frame head-end onto the headboard metal angle first and then the foot-end onto the bed foot-end. Raise your hands on the top of the frame, hold from the slats. Drop the frame slowly and carefully sideways into a horizontal position.



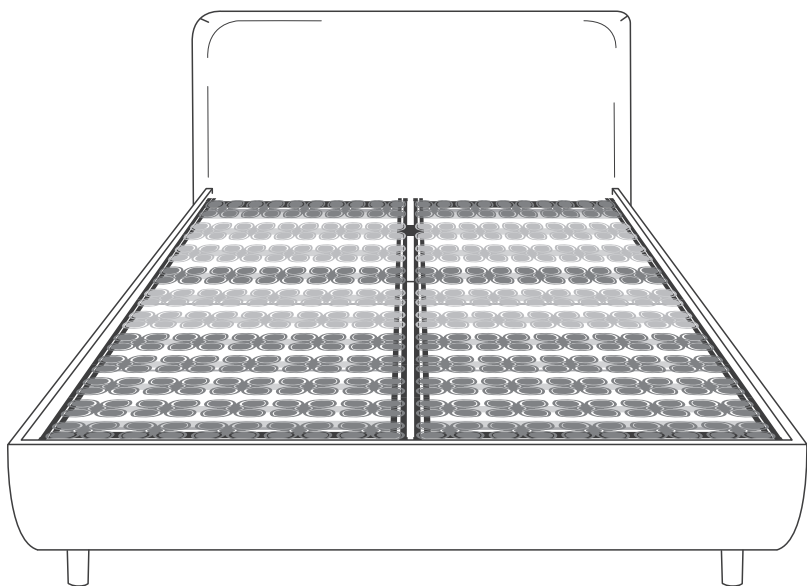
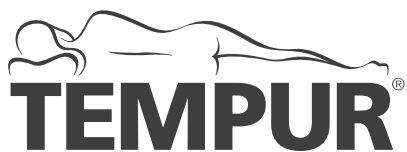
Add another frame the same way.



# Mattress placement

Place the mattress in position with two people. Follow the TEMPUR® brand, which should be placed in the front left corner of the bed.





## TEMPUR ARC™ Static Disc

---

Static disc inner frame(s) assembly guide



**CAUTION**

The assembly instructions must be followed closely to install the bed system successfully, safely, and to minimize the risk of personal injuries and damage to the product.



Assemble the product with a minimum of two persons.



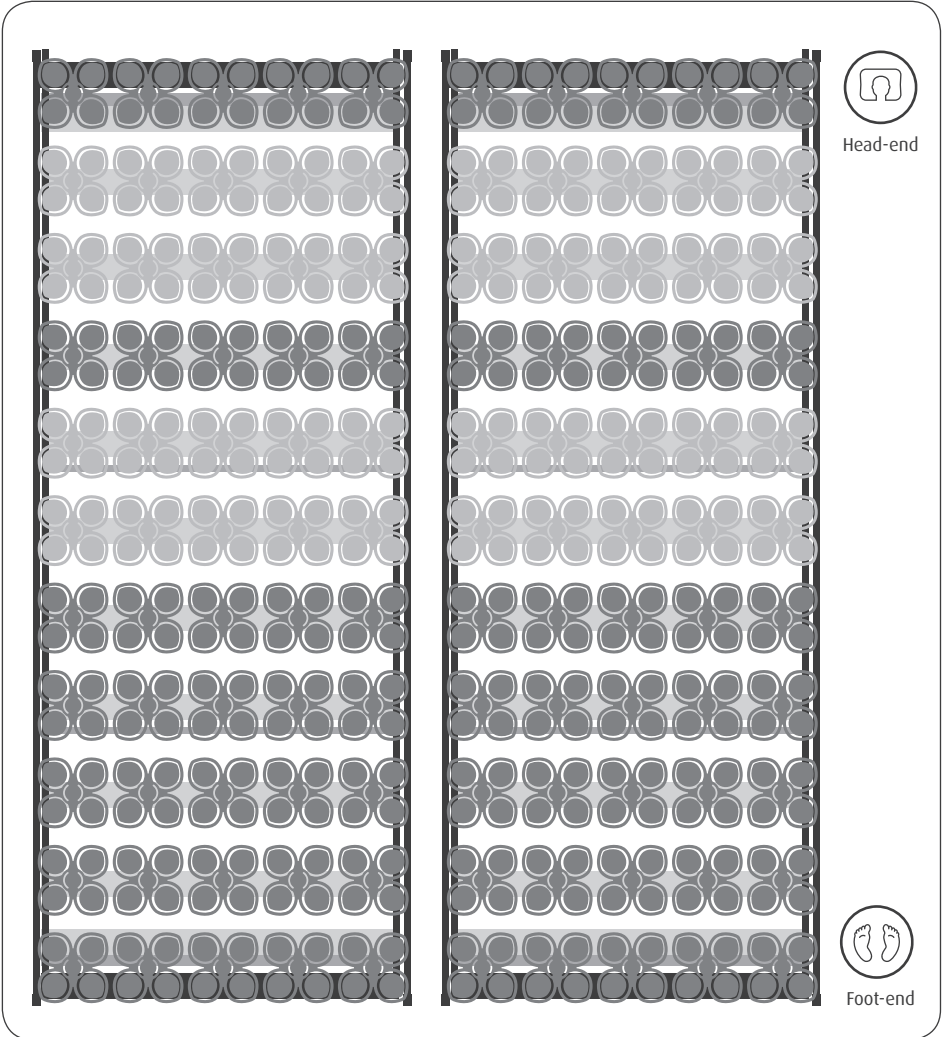
Open the packaging carefully, so as not to damage the product and its parts.  
Dispose of the packaging safely and as sustainably as possible in your local area.

# Component(s)

You have 1 inner frame if your bed size is 90x200 cm; 90x210 cm; 100x200 cm; 100x210 cm; 140x200 cm or 140x210 cm.

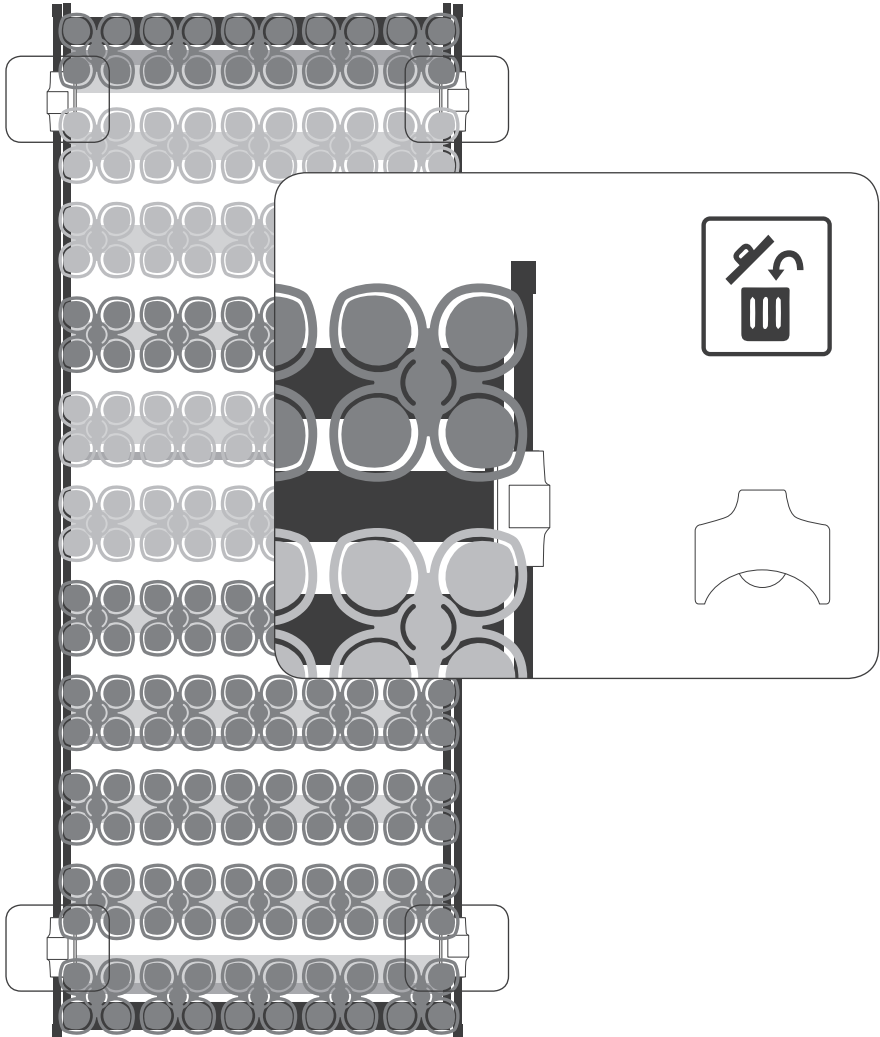
You have 2 inner frames in case your bed size is 150x200 cm; 150x210 cm; 160x200 cm; 160x210 cm; 180x200 cm or 180x210 cm.

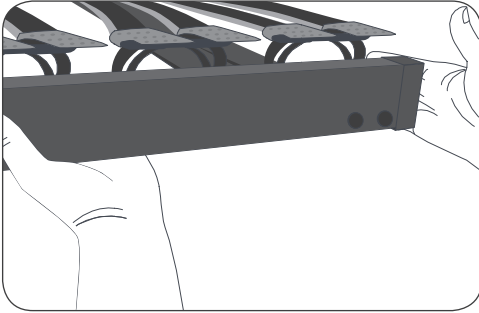
Follow the direction of the frame; you have light gray discs at the head-end.



# Removing transport holders

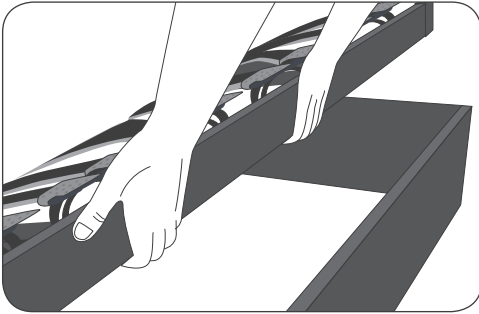
Remove 4 pieces of white plastic holders at the head- and foot-end.





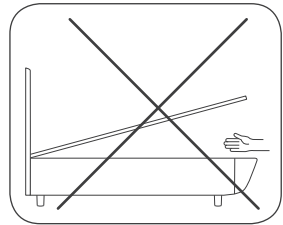
**CAUTION**

Lift and carry the frame with two people by holding it from the bottom support frames.



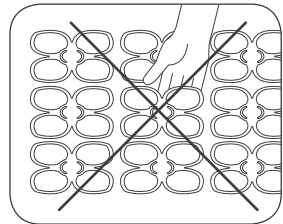
**WARNING**

While mounting the frame(s), be careful your fingers are not trapped between the outer and inner frame.



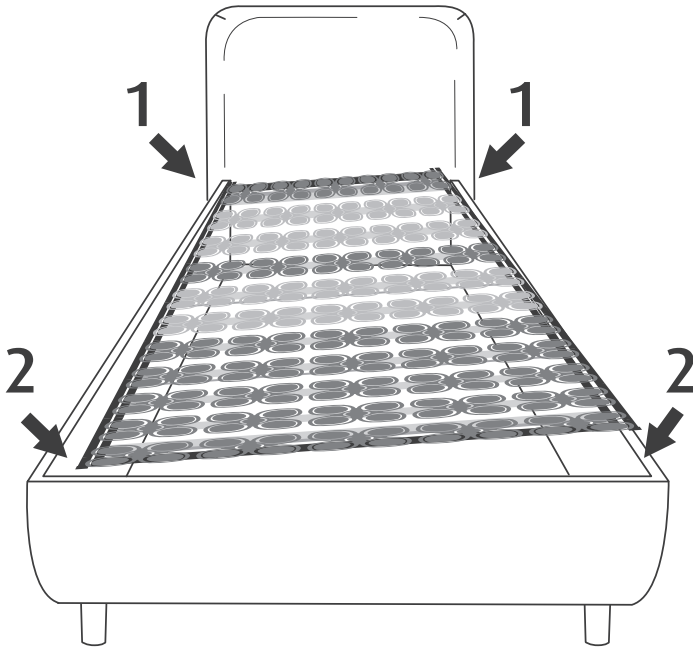
**CAUTION**

Be aware not to carry the frame only holding it from the middle of the slats or discs, these may come off or be damaged.



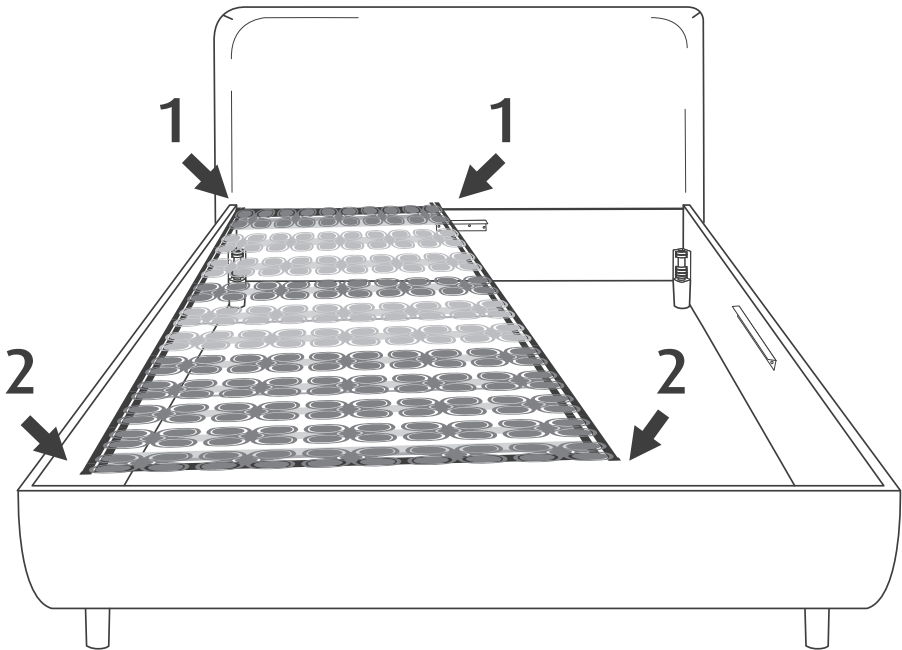
# Single static disc inner frame placement

Lift the frame horizontally with two persons, both holding the frame from the longer opposite sides, from the bottom support frame. Lift the frame head-end onto the headboard metal support angle. As the frame head-end is placed, it is not so heavy anymore and you can place your hands on the top of the frame now, between the discs and onto the slats. Avoid grabbing the discs as they may come off or be damaged. Drop the other frame end slowly and carefully onto the foot-end.

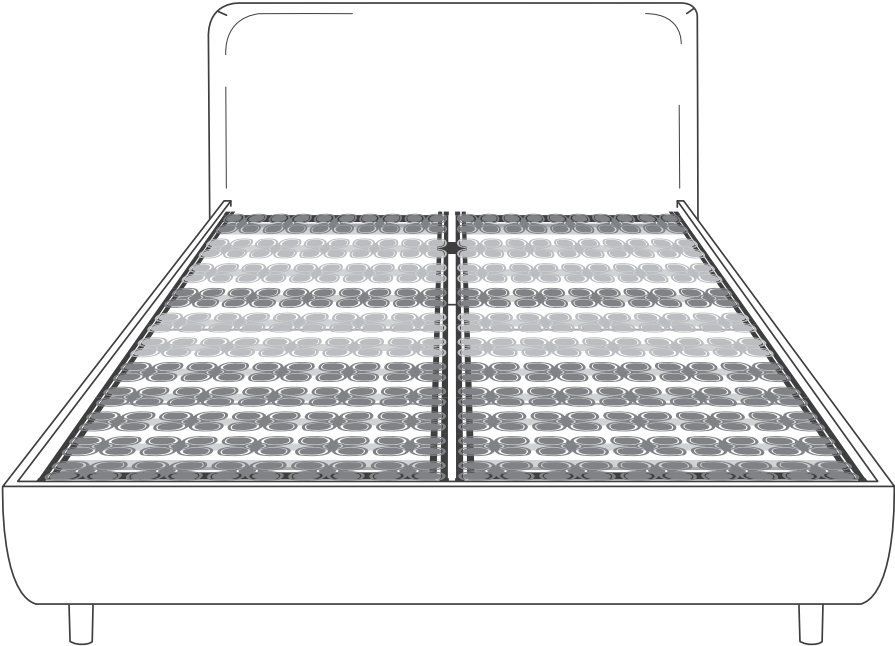


## Double static disc inner frames placement

Take one frame with two people and turn it sideways. One person lifts the frame from the head-end and the other from the foot-end. Hold the frame from the longer side support frame. Place the frame sideways (inner side facing downwards) inside the outer frame. Install the frame head-end onto the headboard metal angle first and then the foot-end onto the bed foot-end. Raise your hands on the top of the frame, hold from the slats between the discs. Avoid holding from the discs only, as they may come off or be damaged. Drop the frame slowly sideways into a horizontal position, at the same time you need to lift the head-end so the discs do not to break.

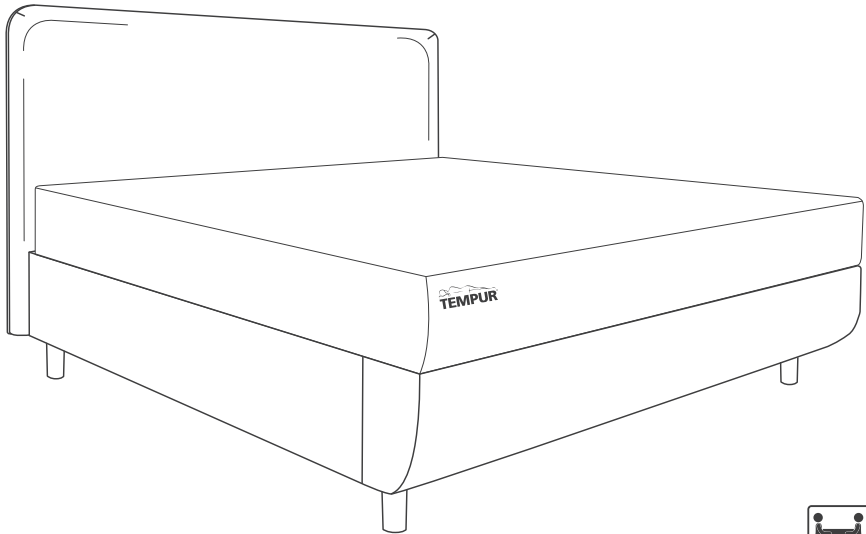


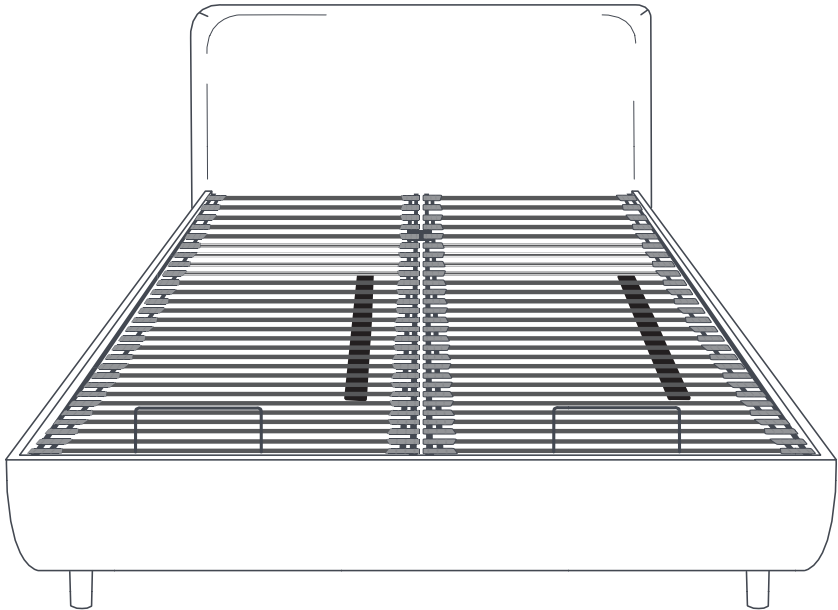
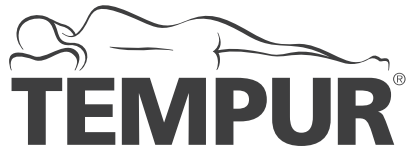
Add another frame the same way.



# Mattress placement

Place the mattress in position with two people. Follow the TEMPUR® brand, which should be placed in the front left corner of the bed.





## TEMPUR ARC™ Adjustable Slatted

Adjustable slatted inner frame(s) assembly guide



**CAUTION**

The assembly instructions must be followed closely to install the bed system successfully, safely, and to minimize the risk of personal injuries and damage to the product.



Assemble the product with a minimum of two persons.

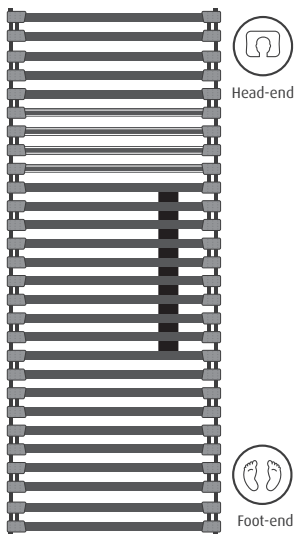


Open the packaging carefully, so as not to damage the product and its parts.  
Dispose of the packaging safely and as sustainably as possible in your local area.

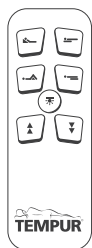
# Components

Follow the direction of the frame, you have thin stripes at the head-end on the slats.

You have 1 inner frame  
if your bed size is  
90x200; 100x200; 140x200 cm.



1 x Entry remote control



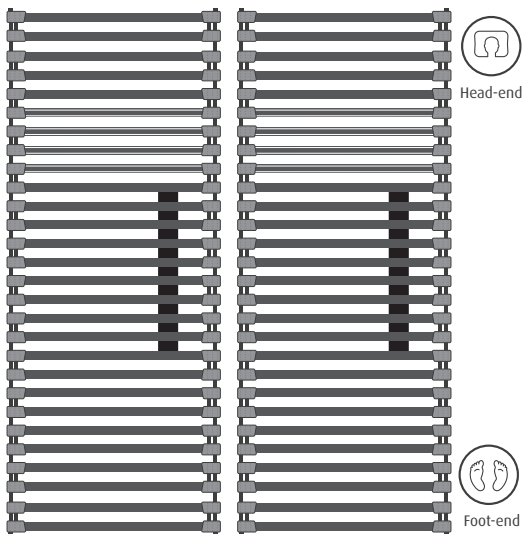
1 x cable



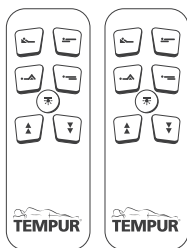
1 x mattress bar



You have 2 inner frames  
in case your bed size is  
150x200; 160x200; 180x200 cm.



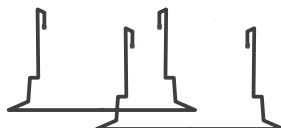
2 x Entry remote control



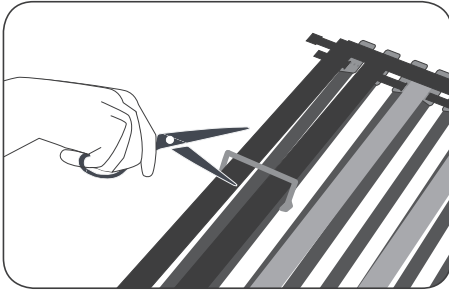
2 x cable



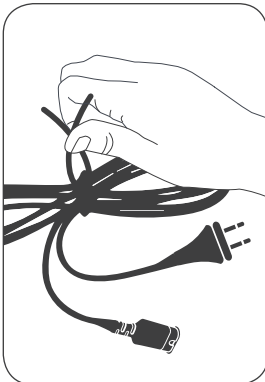
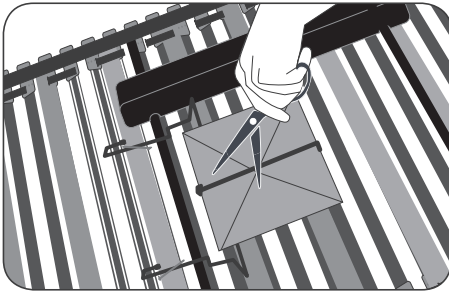
2 x mattress bar



# Removing transport construction bandage

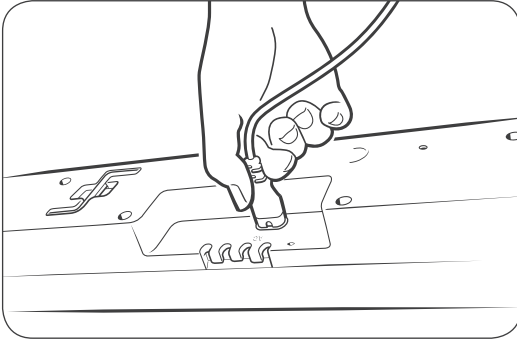


Remove the construction bandage from both sides of the frame by cutting.

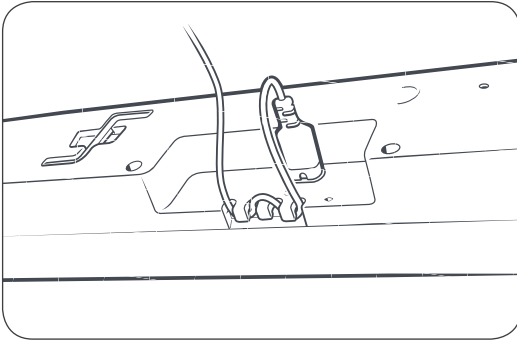


Remove the fastening tie from the cable.

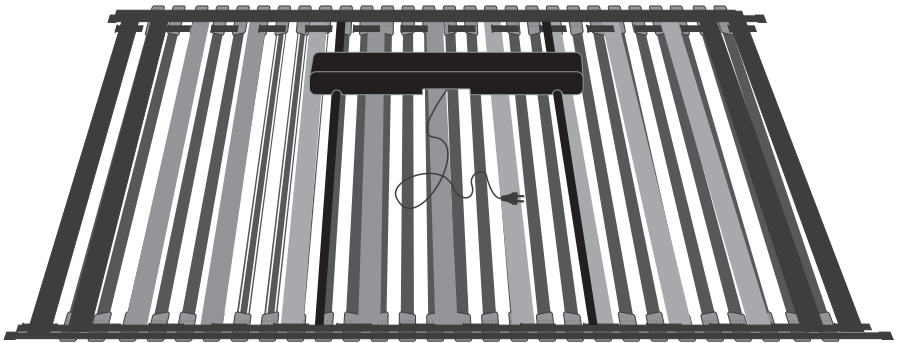
# Entry motor



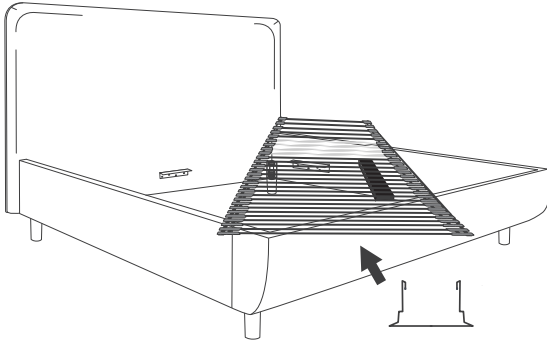
Connect the mains cable end into the motor mains.



Lead the cable around the middle relief. By using the relief, you avoid the mains cable plug being pulled out of the motor and a potential malfunction.

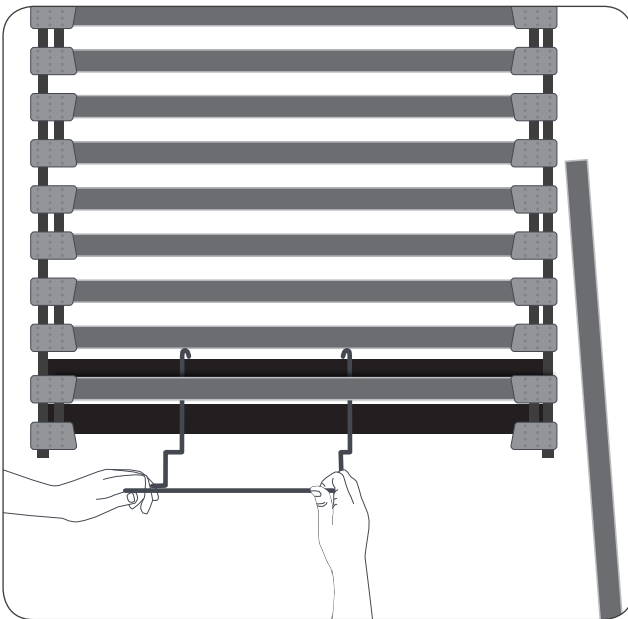


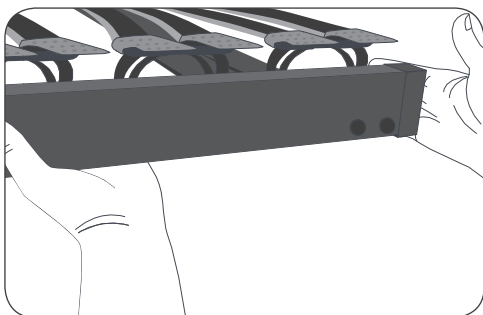
# Mattress bar installation



The mattress bar needs to be attached on the support frame, with the second bottom slat from the foot-end.

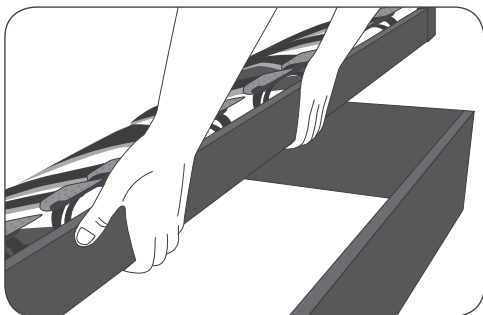
Remove first upper slat by pulling it out. Firstly, pull out the slat at one end and then at the other end. Place and pull the mattress stopper to its position on the support frame. Install the slat back into its place.





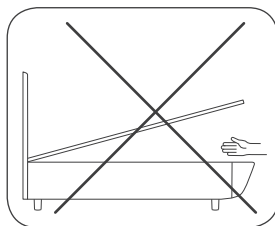
**CAUTION**

Lift and carry the frame with two people by holding it from the bottom support frames.



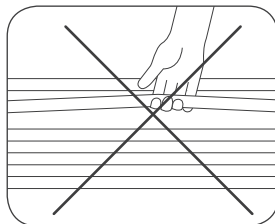
**WARNING**

While mounting the frame(s), be careful your fingers are not trapped between the outer and inner frame.



**CAUTION**

Be aware not to carry the frame by holding it only from the middle of the slats, these may come off or be damaged.



# Single adjustable inner frame placement

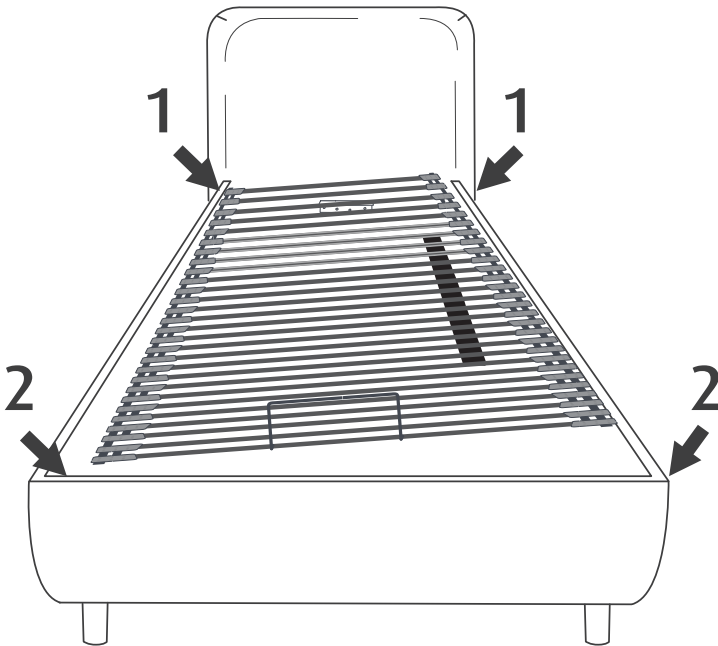
Both persons should hold onto the frame bottom longer sides, from the non-moving part. Lift the frame horizontally.

Place the head-end of the frame onto the bed base head-end corners.

Once this part is in place, one person can move towards the frame foot-end and hold the frame from the mattress bar.

The other person can now slowly let go of the frame.

The person holding from the mattress bar can slowly drop the frame end onto the bed foot-end.



## Double adjustable inner frames placement

### Installing first frame:

Both persons should hold the frame from its longer opposite sides.

Hold from the bottom non-moving part of the frame and lift the frame horizontally.

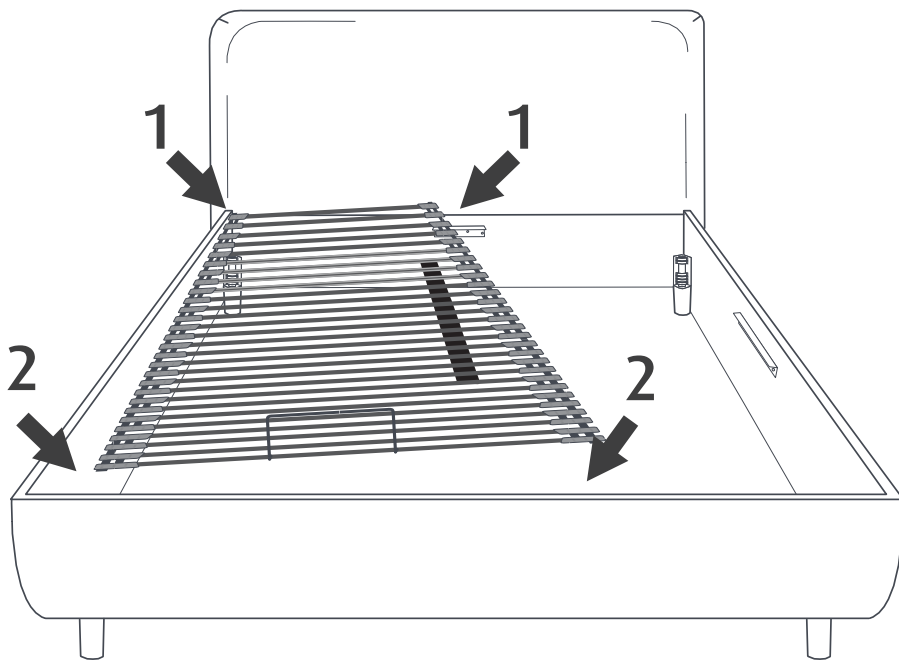
One person stands by the outer bed frame and the other steps inside the bed base.

Place the frame head-end onto the corners and the headboard metal angle.

Once this part is in place, one person can move to the foot-end and hold the inner frame from the mattress bar.

When one person is firmly holding the mattress bar, the other person can now slowly let go of the frame.

Lastly, the person holding the mattress bar should now slowly drop the frame end onto the bed foot-end.



### Installing second frame:

Lift the frame sideways. The longer side, which will be inner side in the bed base, needs to be facing downwards.

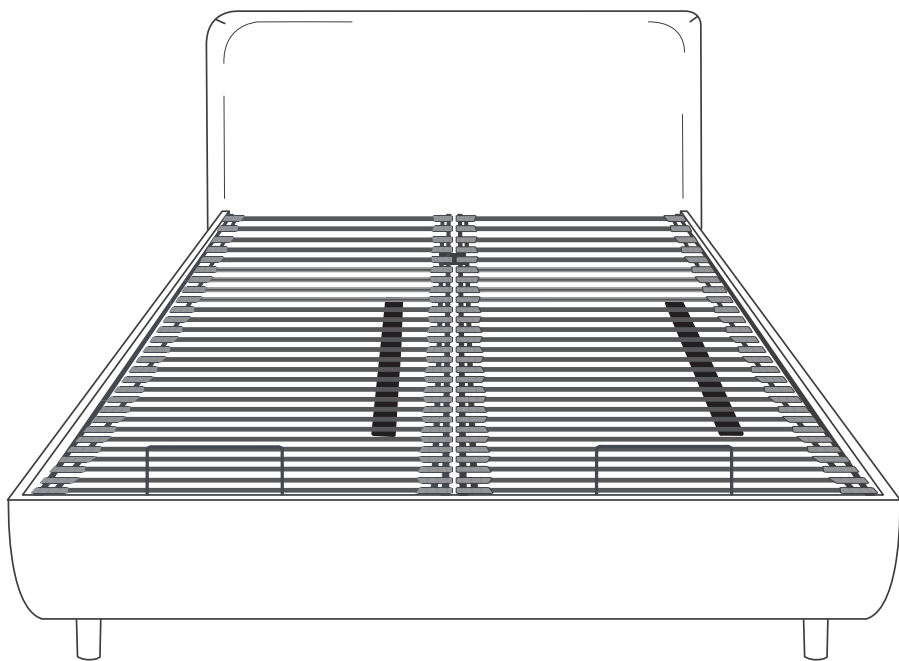
Hold from opposite frame ends from non-moving part of the frame.

The person standing on the head-end side steps into the bed base.

Place the inner frame head-end onto the headboard metal angle, and the other end onto the bed foot-end. Raise and slide slightly the frame head-end inner corner for stabilization.

Now the person inside the bed base can step out of the frame, still holding onto the frame. After stepping out of the bed base, drop and slide slowly the frame head-end into place.

When the head-end of the frame is almost in place, the person at the foot-end grabs the mattress bar. Now the person at the head-end can let go of the frame. The person on the foot-end holds onto the mattress bar, and holds the foot-end of the frame up and slowly drops it onto the bed base foot-end.



## Pairing one motor with one remote

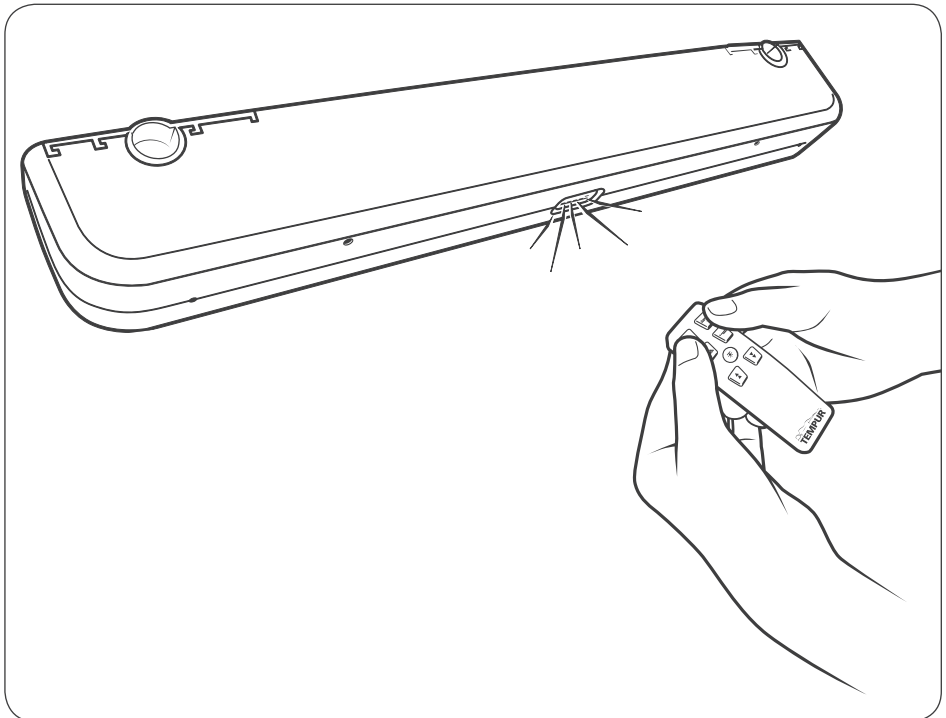
1. Plug the motor cable into the power socket.
2. The motor light will start to blink at a steady pace and now you have 3 minutes for pairing.
3. Press and hold down the top two remote buttons for pairing and wait until you see one long light flash - this is the signal for successful pairing. You can check it by pushing the buttons on the remote.

The motor is still in the pairing mode, and you can pair another remote with the motor.



After pairing the first remote you need to wait for the motor light to flash 5 times (5 seconds) before starting to pair the second remote.

If you use more than one remote, you need to wait for 5 seconds to use another remote.



## Pairing two motors with one remote

1. Plug cables of motors into power sockets.
2. Lights of motors start blinking at a steady pace and now you have 3 minutes for pairing.
3. Press and hold down the top two remote buttons for pairing and wait until you see one long light flash on the motor – this is the signal for successful pairing. You can check it by pushing the buttons on the remote.
4. Check if the frames work simultaneously by pressing the remote buttons.

## Pairing two motors with two remotes

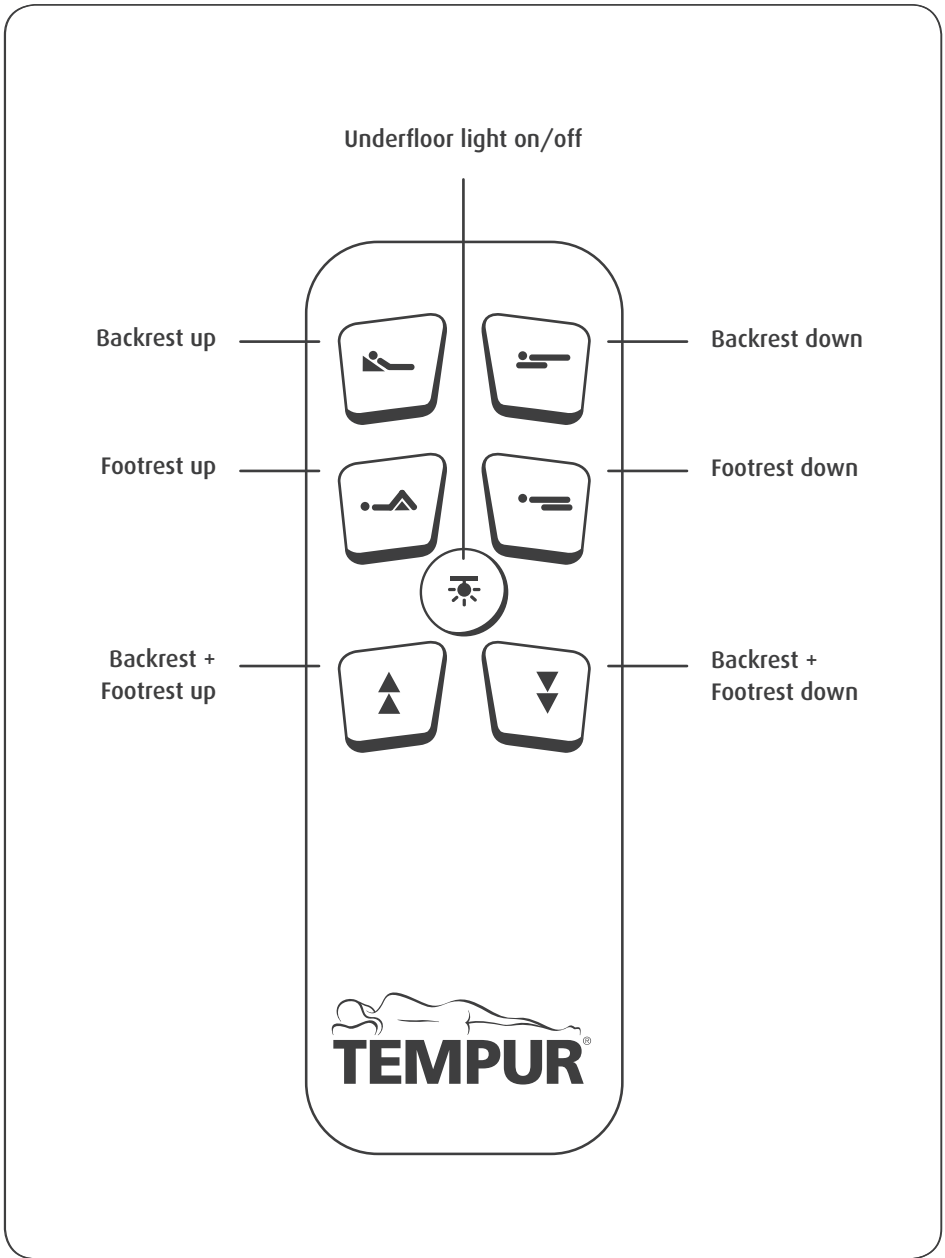
1. Plug the first motor cable into the power socket and follow the steps from the “Pairing one motor with one remote” section.
2. After you have paired the first motor with the remote, plug the second motor cable into the power socket and take the second remote, then follow the steps from the “Pairing one motor with one remote” section.

## Start another pairing

To start another pairing, unplug the motor cable from the power socket and wait for 1 minute, then plug the cable back in again. Now you are ready for pairing mode.

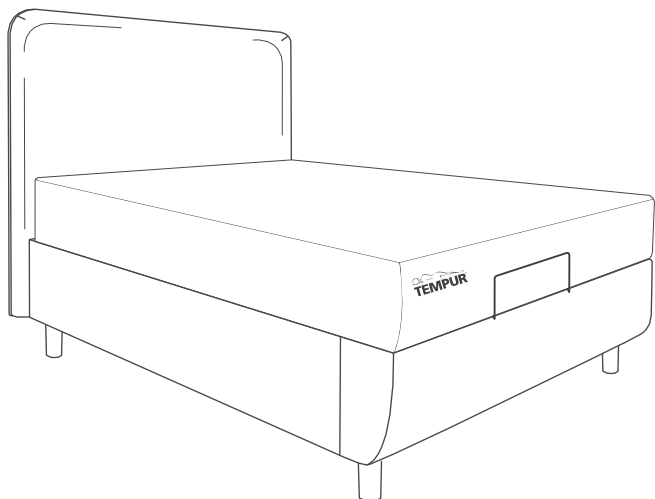
To do it faster, push the motor light button on the remote to light up and then take the motor cable out from the power socket. Wait until the motor light turns off. Then plug the motor cable into the power socket again and you are now ready for pairing.

# Entry remote functions



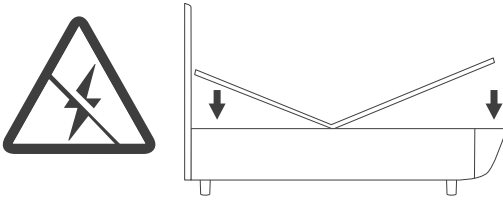
## Mattress placement

Place the mattress in position with two people. Follow the TEMPUR® brand, which should be placed in the front left corner of the bed.



# Emergency lowering

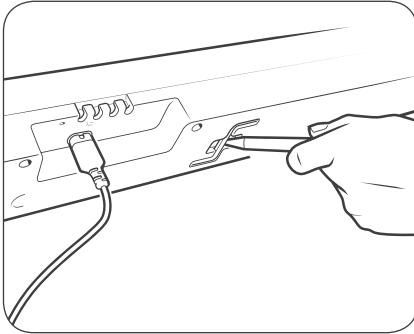
Emergency lowering is meant for lowering the bed if a power failure occurs and the bed needs to move into a horizontal position.



1. Disconnect the motor from the mains.
2. Remove the slats in the middle of the motor foot and head end side.  
Remove the slats from the frame by pulling them out.

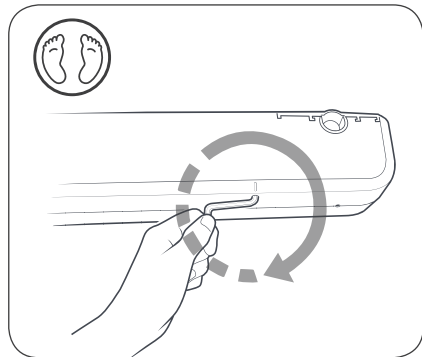
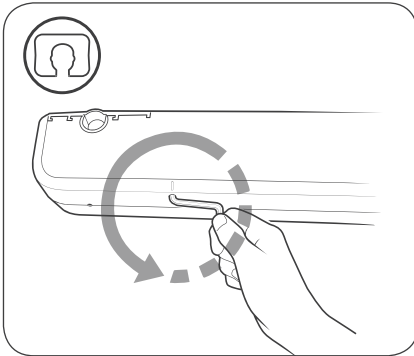


3. Take the hex key on the side of the motor, use something you have at home such as a pen to push the key out.



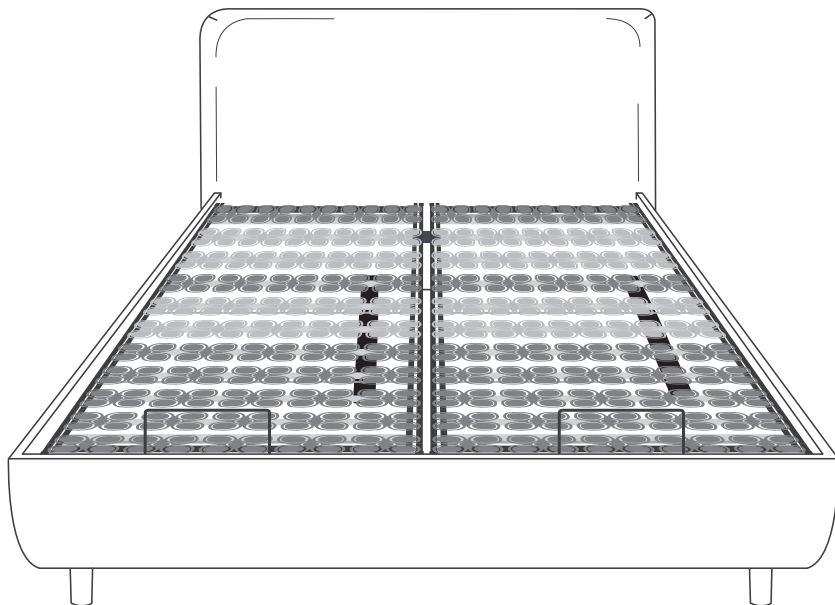
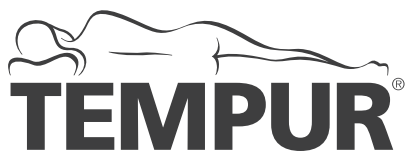
Do not use an electric screwdriver for lowering, use the hex key enclosed on the motor.

4. Underneath the motor, at the foot and head end side, are two gaps for mechanical lowering.
5. Place hex key in gap, one end at a time.
6. At the head end side, turn the hex key in an anticlockwise direction and at the foot end side turn the hex key clockwise.



It is important to turn the key in the right direction. Turning the key in the wrong direction can damage the inner hex and make mechanical emergency lowering impossible.

7. Put the frame slats back.



## TEMPUR ARC™ Adjustable Disc

Adjustable disc inner frame(s) assembly guide



**CAUTION**

The assembly instructions must be followed closely to install the bed system successfully, safely, and to minimize the risk of personal injuries and damage to the product.



Assemble the product with a minimum of two persons.

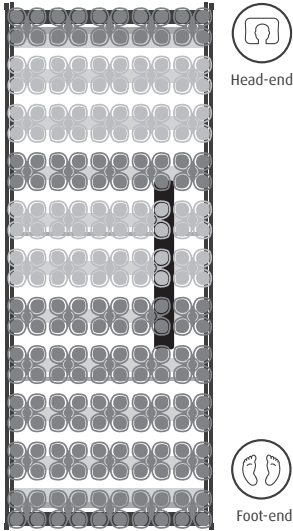


Open the packaging carefully, so as not to damage the product and its parts.  
Dispose of the packaging safely and as sustainably as possible in your local area.

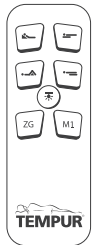
# Components

Follow the direction of the frame, you have light gray discs on the head-end side of the frame.

You have 1 inner frame if your bed size is 90x200 cm; 90x210 cm; 100x200 cm; 100x210 cm; 140x200 cm or 140x210 cm.



1 x Premium remote control



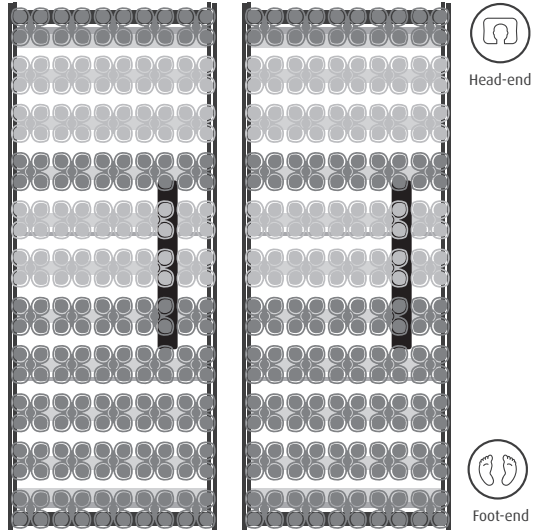
2 x cable  
1 x adapter



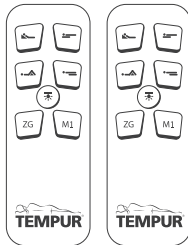
1 x mattress bar



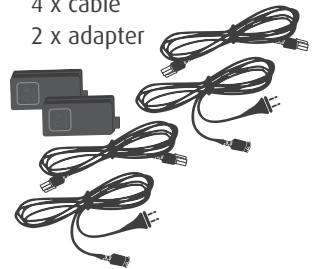
You have 2 inner frames in case your bed size is 150x200 cm; 150x210 cm; 160x200 cm; 160x210 cm; 180x200 cm or 180x210 cm.



2 x Premium remote control



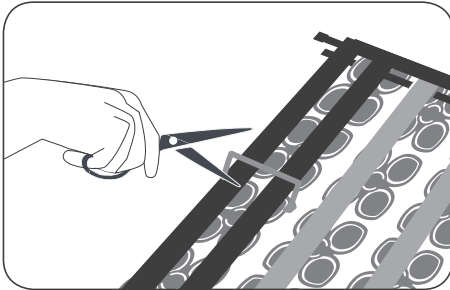
4 x cable  
2 x adapter



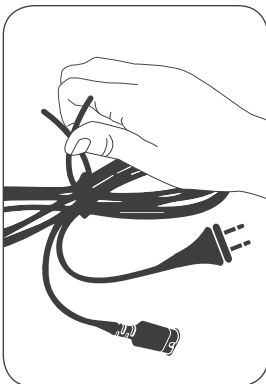
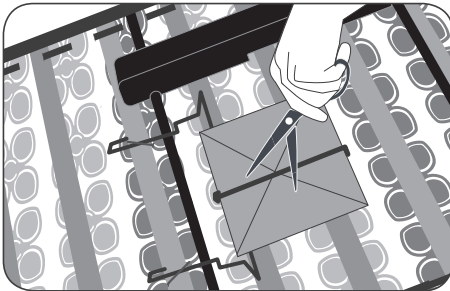
2 x mattress bar



# Removing transport construction bandage

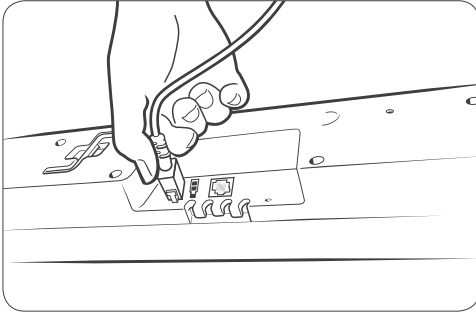


Remove the construction bandage from both sides of the frame by cutting.

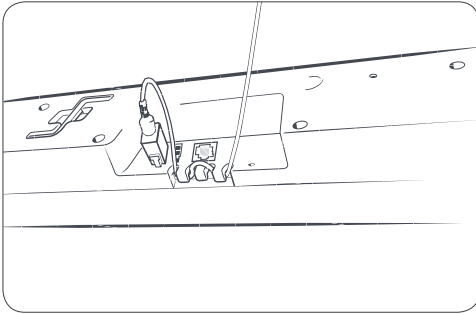


Remove the fastening tie from the cable.

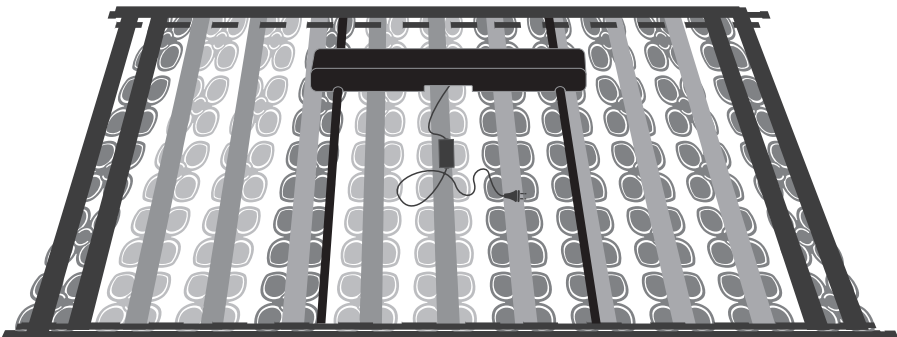
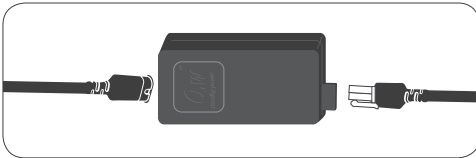
# Premium motor



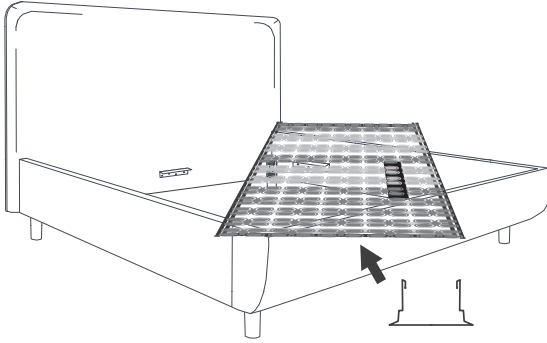
Connect the correct plug end into the motor mains and insert the other end into the adapter. Insert the other plug into the adapter.



Lead the cable around the middle relief. By using the relief, you avoid the mains cable plug being pulled out of the motor and a potential malfunction.

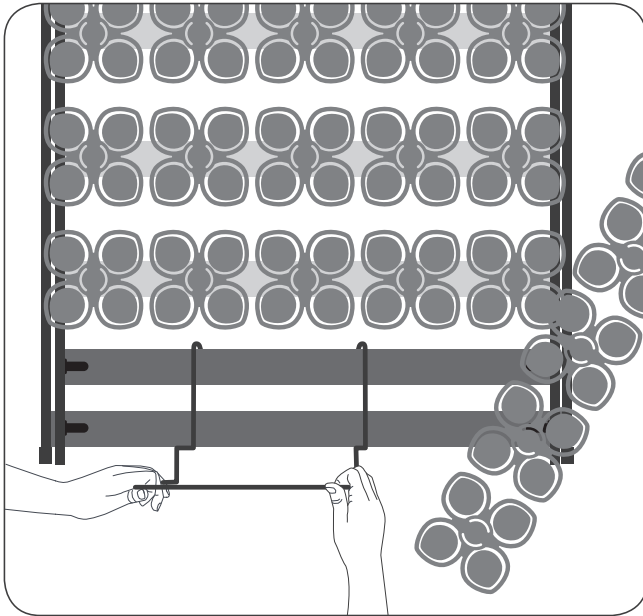


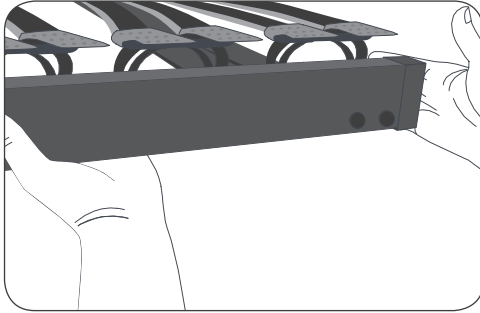
# Mattress bar installation



The mattress bar needs to be attached on the support frame, under slat units, at the foot-end side.

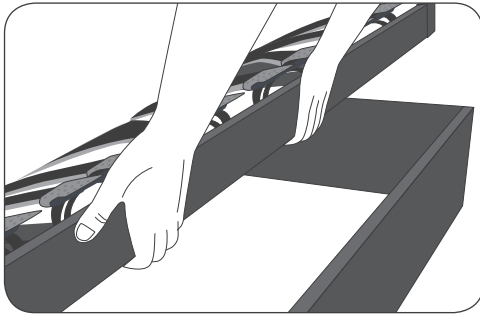
Remove first slat unit with discs by pulling it out. Firstly, pull out slat unit one end and then the other end. Place and pull the mattress stopper to its position on the support frame. Install the slat unit back to its place.





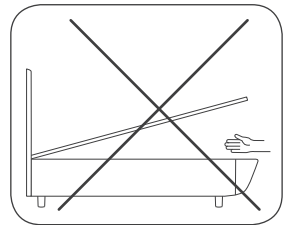
**CAUTION**

Lift and carry the frame with two people by holding it from the bottom support frames.



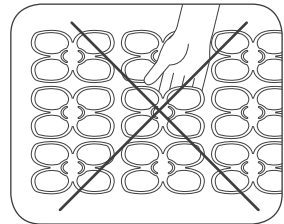
**WARNING**

While mounting the frame(s), be careful your fingers are not trapped between the outer and inner frame.



**CAUTION**

Be aware not to carry the frame only holding it from the middle of the slats or discs, these may come off or be damaged.



# Single adjustable inner frame placement

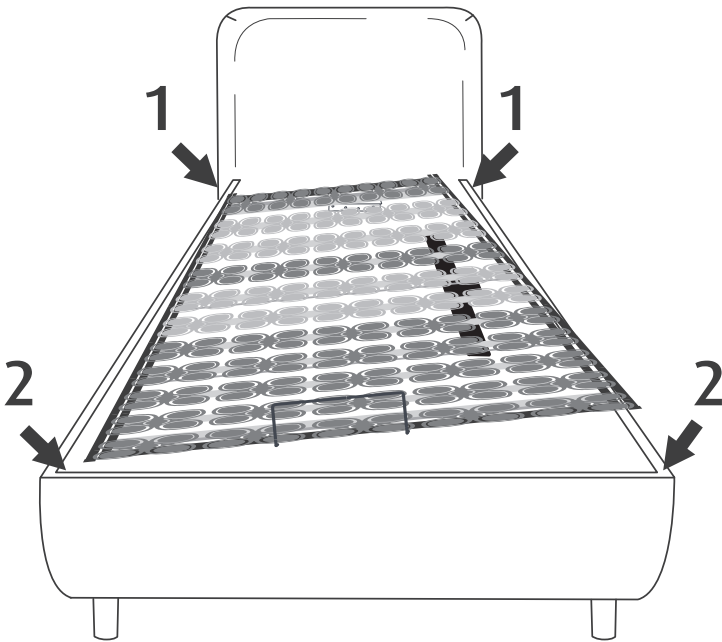
Both persons should hold the frame from the bottom longer sides, attached to the non-moving part. Lift the frame horizontally.

Place the head-end of the frame onto the bed base head-end corners.

Once this part is in place, one person can move towards the frame foot-end and hold the frame from the mattress bar.

The other person can now slowly let go of the frame.

The person holding from the mattress bar can slowly drop the frame end onto the bed base foot-end.



# Double adjustable inner frames placement

## Installing first frame:

Both persons should hold the frame from its longer opposite sides.

Hold from the bottom non-moving part of the frame and lift the frame horizontally.

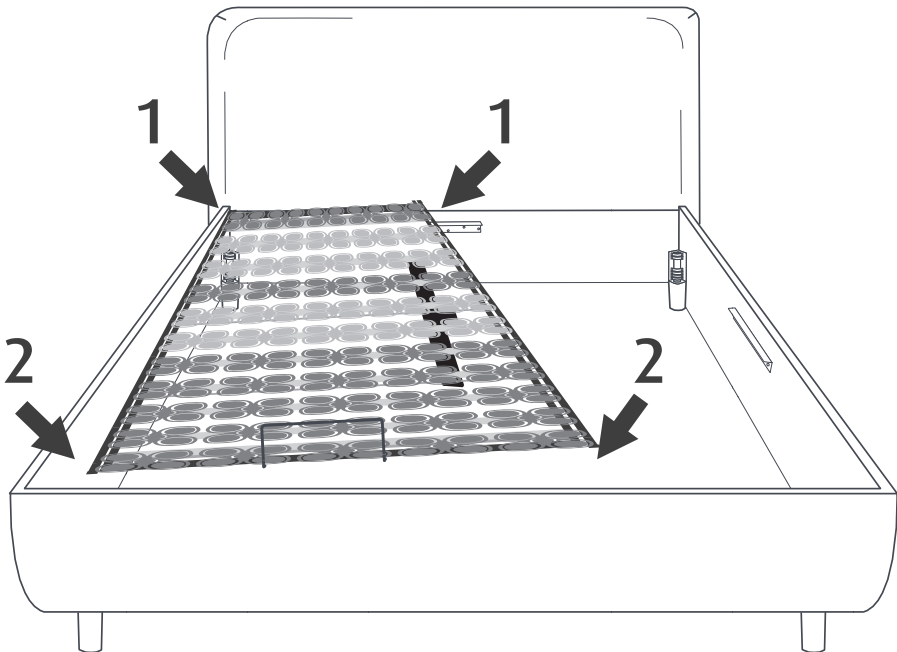
One person stands by the bed outer frame and the other steps inside the bed base.

Place the frame head-end onto the corners and headboard metal angle.

Once this part is in place, one person can move to the foot-end and hold the inner frame from the mattress bar.

When one person is firmly holding the mattress bar, the other person can now slowly let go of the frame.

Lastly the person holding from the mattress bar should now slowly drop the frame end onto the bed foot-end.



### Installing second frame:

Lift the frame sideways. The longer side, which will be inner side in the bed base, needs to be facing downwards.

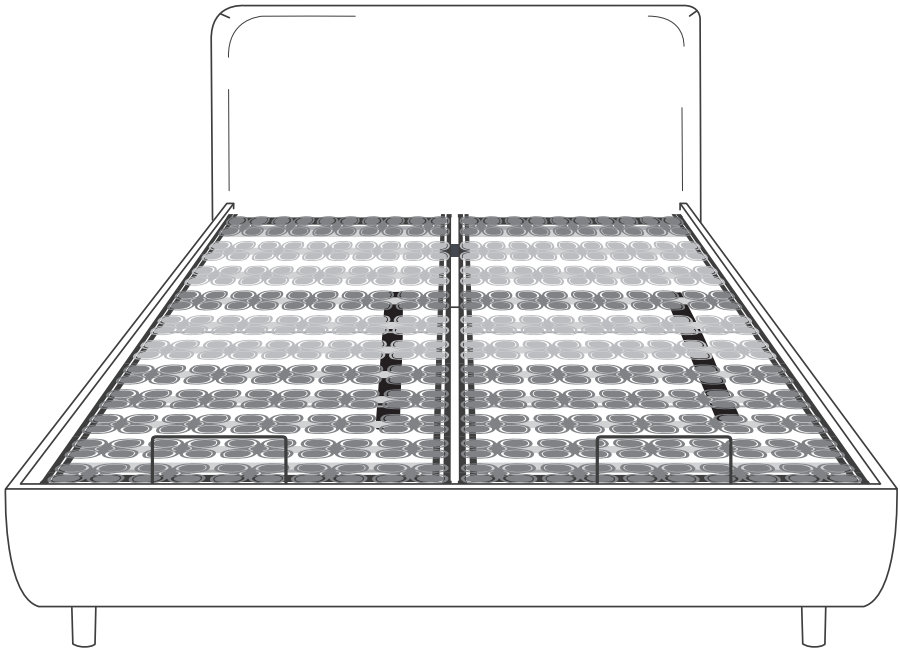
Hold from opposite frame ends from non-moving part of the frame.

The person standing on the head-end side steps into the bed base.

Place the inner frame head-end onto the headboard metal angle, and the other end onto the bed foot-end. Raise and slide slightly the frame head-end inner corner for stabilization.

Now the person inside the bed base can step out of the frame, still holding onto the frame. After stepping out of the bed base, drop and slide slowly the frame head-end into place.

When the head-end of the frame is almost in place, the person at the foot-end grabs the mattress bar. Now the person at the head-end can let go of the frame. The person on the foot-end holds onto the mattress bar, and holds the foot-end of the frame up and slowly drops it onto the bed base foot-end.



## Pairing one motor with one remote

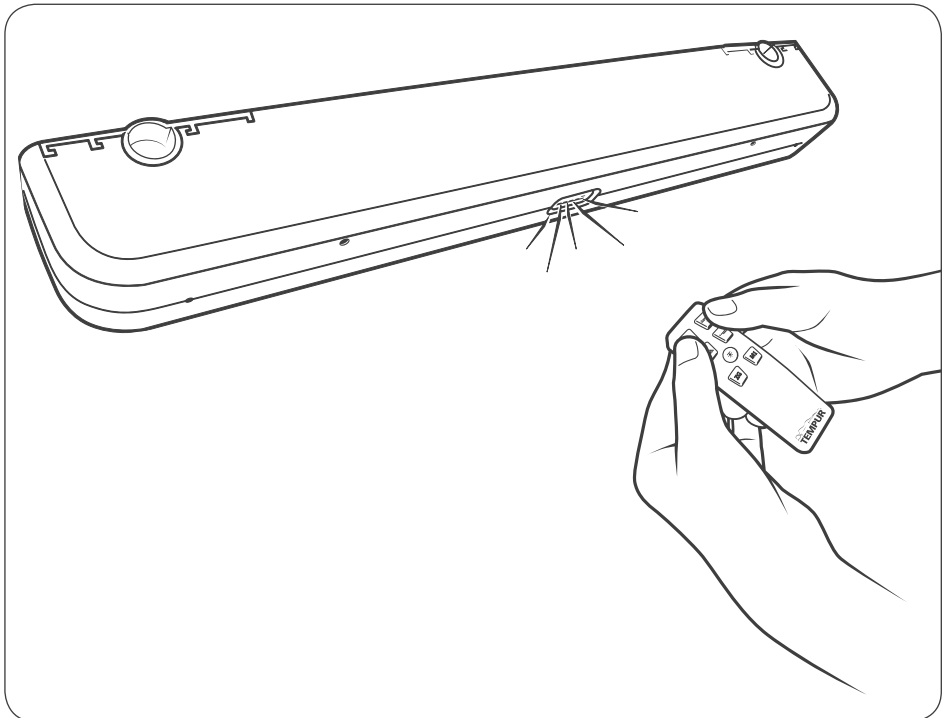
1. Plug the motor cable into the power socket.
2. The motor light will start to blink at a steady pace and now you have 3 minutes for pairing.
3. Press and hold down the top two remote buttons for pairing and wait until you see one long light flash - this is the signal for successful pairing. You can check it by pushing the buttons on the remote.

The motor is still in the pairing mode, and you can pair another remote with the motor.



After pairing the first remote you need to wait for the motor light to flash 5 times (5 seconds) before starting to pair the second remote.

If you use more than one remote, you need to wait for 5 seconds to use another remote.



## Pairing two motors with one remote

1. Plug cables of motors into power sockets.
2. Lights of motors start blinking at a steady pace and now you have 3 minutes for pairing.
3. Press and hold down the top two remote buttons for pairing and wait until you see one long light flash on the motor – this is the signal for successful pairing. You can check it by pushing the buttons on the remote.
4. Check if the frames work simultaneously by pressing the remote buttons.

## Pairing two motors with two remotes

1. Plug the first motor cable into the power socket and follow the steps from the “Pairing one motor with one remote” section.
2. After you have paired the first motor with the remote, plug the second motor cable into the power socket and take the second remote, then follow the steps from the “Pairing one motor with one remote” section.

## Start another pairing

To start another pairing, unplug the motor cable from the power socket and wait for 1 minute, then plug the cable back in again. Now you are ready for pairing mode.

To do it faster, push the motor light button on the remote to light up and then take the motor cable out from the power socket. Wait until the motor light turns off. Then plug the motor cable into the power socket again and you are now ready for pairing.

# Premium remote functions

Underfloor light on/off

The diagram shows a remote control with a central vertical line. At the top is a light icon with the text 'Underfloor light on/off'. Below this are two rows of buttons. The first row has 'Backrest up' (left) and 'Backrest down' (right). The second row has 'Footrest up' (left) and 'Footrest down' (right). Below these is a circular light button. At the bottom are two buttons labeled 'ZG' and 'M1'. Lines connect the text labels to their respective buttons.

**Backrest up**

**Backrest down**

**Footrest up**

**Footrest down**

**Zero Gravity position**

**Memory position**

**ZG**

**M1**

To use the Zero Gravity function, just push the button once and it moves into position. There is no need to hold down the button.

To save Memory position, press the remote memory button down for 10 seconds. The position is now saved to the motor. To use the function, just press the button once and it moves into your saved position. Do not hold down the button, it just needs one press to move into the position. If you want to save a new Memory position, just repeat the process of saving the Memory position.

**TEMPUR®**

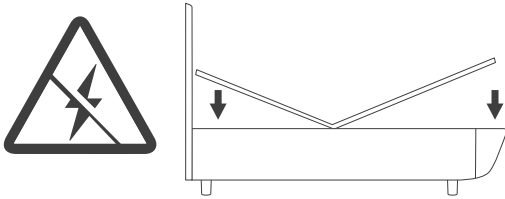
## Mattress placement

Place the mattress in position with two people. Follow the TEMPUR® brand, which should be placed in the front left corner of the bed.

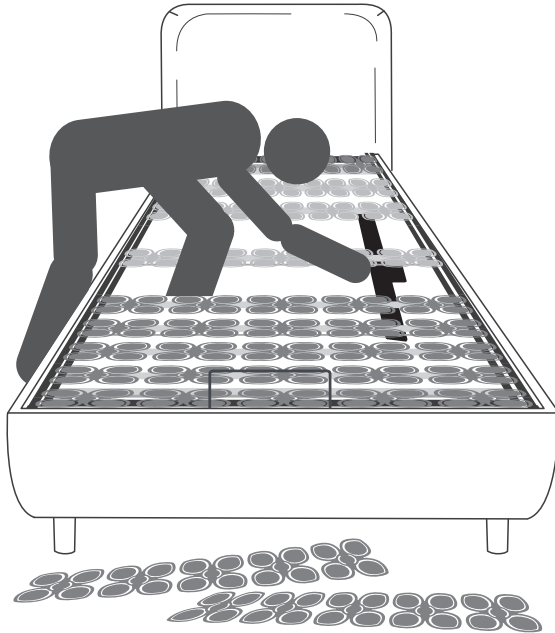


# Emergency lowering

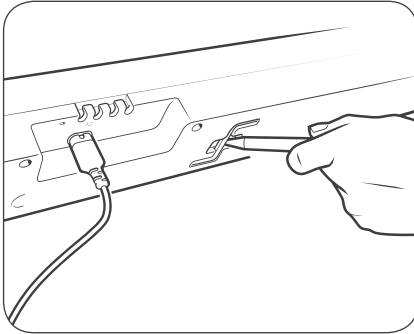
Emergency lowering is meant for lowering the bed if a power failure occurs and the bed needs to move into a horizontal position.



1. Disconnect the motor from the mains.
2. Remove the slats in the middle of the motor foot and head end side.  
Remove the slats from the frame by pulling them out.

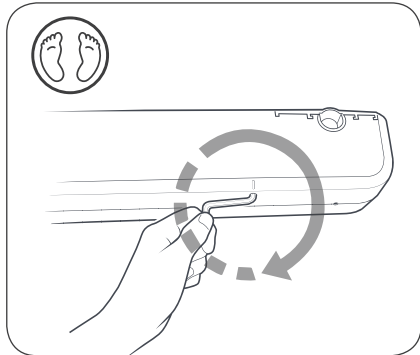
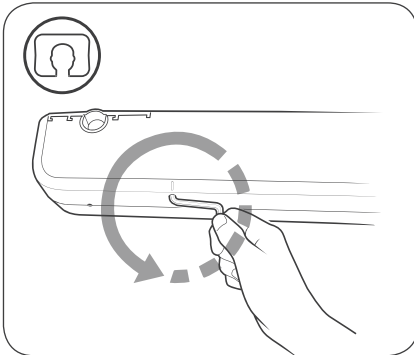


3. Take the hex key on the side of the motor, use something you have at home such as a pen to push the key out.



Do not use an electric screwdriver for lowering, use the hex key enclosed on the motor.

4. Underneath the motor, at the foot and head end side, are two gaps for mechanical lowering.
5. Place hex key in gap, one end at a time.
6. At the head end side, turn the hex key in an anticlockwise direction and at the foot end side turn the hex key clockwise.



It is important to turn the key in the right direction. Turning the key in the wrong direction can damage the inner hex and make mechanical emergency lowering impossible.

7. Put the frame slats back.